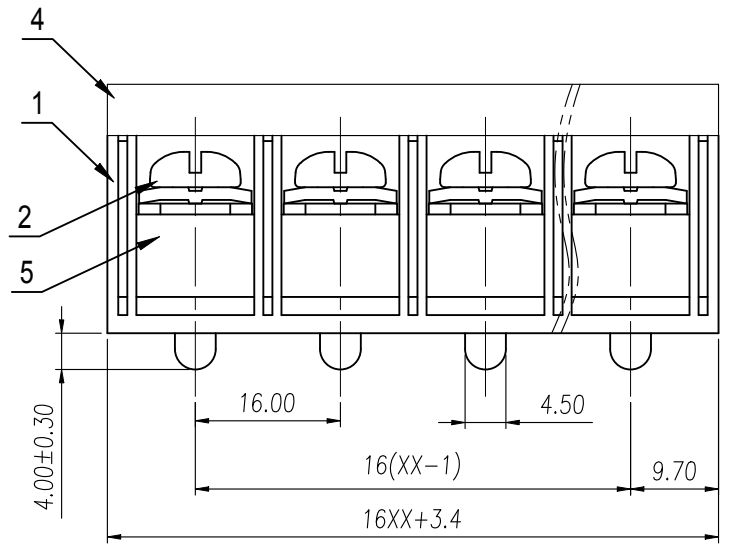
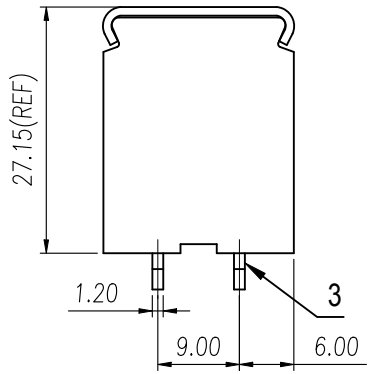
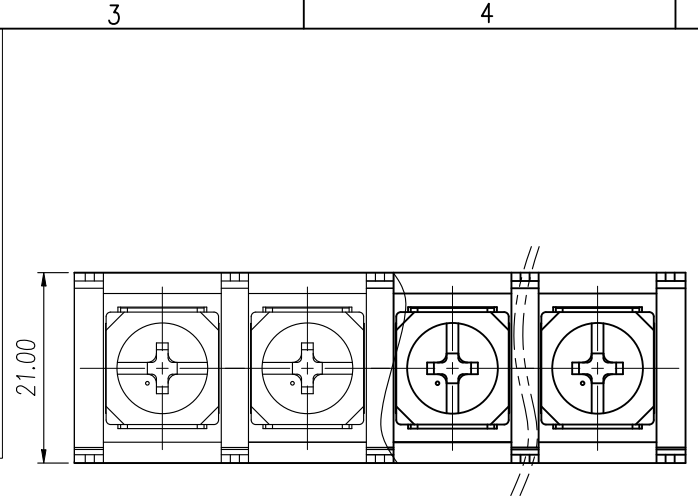
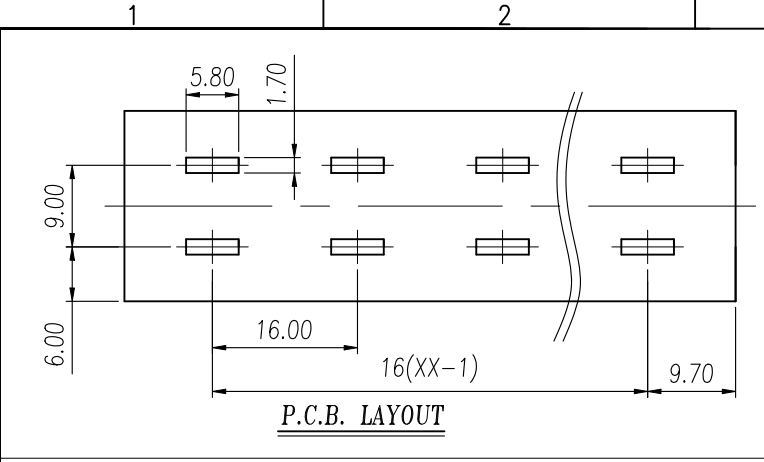


Transfer or duplication of this document as well as the utilization or communication of its contents are prohibited unless explicit authorization is granted. Violations will be liable for compensation. All rights reserved for patent, utility model or designs registrations. 除非给予书面授权，否则禁止转让、复制、利用、交流本文件的内容。侵犯者将承担赔偿责任。本公司保留对涉及发明、实用新型外观设计的所有权利。



REVISION RECORD				
REV.	DESCRIPTION	ECN No.	APPROVED	DATE
V0	新发行		ZhaoXY	24.04.01
V1	PCB图面更新		ZhaoXY	26.06.05

- 电气性能/Electrical**
- 额定电压/Rated voltage: 600V
 - 额定电流/Rated current: 100A
 - 接触电阻/Contact resistance: 20mΩ
 - 绝缘电阻/Insulation resistance: 500MΩ/DC500V
 - 使用线径/Wire range: 14~3AWG
 - 耐电压/With standing voltage: AC 2200V/1 Min
- 机械性能/Mechanica**
- 扭 矩/Torque: 3.0Nm(26Lb.in)
 - 温度范围/Temp.Range: -30°C~+120°C
 - 瞬时温度/MAX Soldering: +260°C, for 5 Sec
- 尺 寸/Dimensions**
- 间距/Pitch: 16mm
 - 极数/Poles: 2~16p

ITEM	NAME OF PART	MATERIAL	NOTES
5	Nut	Steel	M6 Steel Zn plated
4	Cover	PC	UL94V-2
3	Pin Header	Copper Alloy	Sn Plated
2	Screws	Steel	M6 Steel Zn plated
1	Housing	PBT	UL94V-0

General Tolerances								—	∠	⊥
variable range	to 6	over 6 to 10	over 10 to 30	over 30 to 60	over 60 to 100	over 100 to 160	over 160 to 10	over 10 to 100	over 100 to 100	
tolerance	±0.20	±0.30	±0.50	±0.70	±1.00	±1.30	±1.60	0.10	0.30	0.60

DES.	ZhaoXY	DATE	24.04.01	UNITS	mm	THIRD ANGLE PROJECTION		
CHK.	HuHT	DATE	24.04.01	SIZE	A4	TYPE: CUSTOMER DRAWING	SHEET 1 of 1	
APP.	Jason	DATE	24.04.01	SCALE	2:1	DRAWING TYPE: SP-03	REV	V1
						慈溪市万捷电子有限公司 CIXI WANJIE ELECTRONIC CO., LTD		PART NO.: WJ88-XXP-1Y-00A