



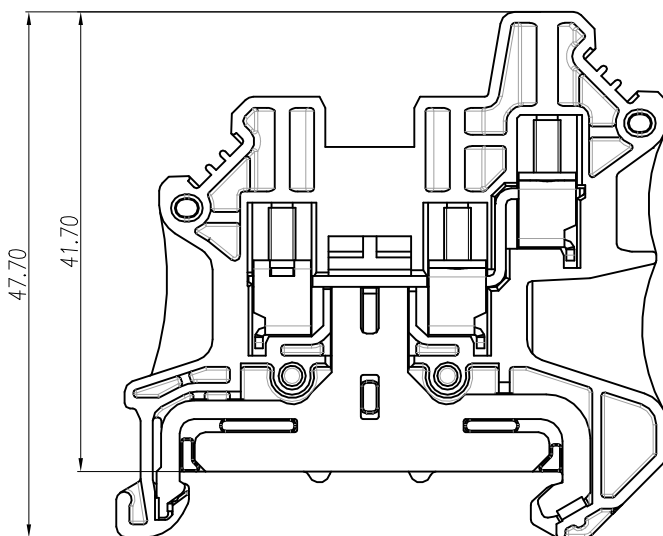
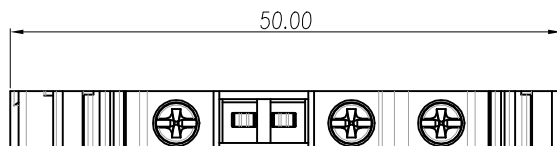
# 慈溪市万捷电子有限公司

## CIXI WANJIE ELECTRONIC CO., LTD

### REVISION RECORD

REV.	DESCRIPTION	ECN No.	APPROVED	DATE

UL/CUL 技术参数 (UL1059)				
UL/CUL Technical Data				
等级	Use Group	B	C	D
额定电压	Rated Voltage [V]	-	-	-
耐电压	Withstanding Voltage	2200V/1Min		
接线范围	Wire Range	26-12		
单/多芯线	Solid/Stranded [AWG]			
IEC 技术参数 (IEC60947-7-2)				
IEC Technical Data				
过电压类别	Overvoltage Category	III		
污染等级	Contamination Class	3		
额定电压	Rated Voltage [V]	-		
额定冲击电压	Impulse withstand voltagea [KV]	8		
导线截面积 Conductor cross section				
单芯	Solid [mm <sup>2</sup> ]	0.2-4.0		
柔性导线	flexible [mm <sup>2</sup> ]	0.2-2.5		
柔性导线带冷压头	flexible with ferrule [mm <sup>2</sup> ]	0.25-2.5		
材料 Material				
绝缘材料	Insulation Material	PA66		
阻燃等级	Imflammability	UL94V-0		
导体材料	Contacting Material	铜合金 Copper alloy		
导体表面镀层	Contactive Coating	镀锡 Sn Plated		
一般参数 Other Data				
连接点数	connection points	3		
剥线长度	Stripping Length [mm]	8-9		
导轨类型	Type of rail	DIN 35		
螺丝 Screw/扭矩 Torque(Max) [N.m]		M2.5/0.4-0.5		
工作温度	Operating temperatur [°C]	-40~105		



linear dimension (Tolerances Standard GB/T 14486-2008)										
variable range	to 6	over 6 to 10	over 10 to 30	over 30 to 60	over 60 to 100	over 100 to 160	to 10	over 10 to 100	over 100 to 100	
tolerance	±0.20	±0.30	±0.50	±0.70	±1.00	±1.30	±1.60	0.10	0.30	0.60

黄绿色/Green-Yellow	GUT2.5-103-PE-00A
颜色/Color	订货号/Order NO.

单位 / UNITS	mm	尺寸 / SIZE	A4	比例 / SCALE	1:1	第三视角 / THIRD ANGLE PROJECTION	版本 / REV	V0
慈溪市万捷电子有限公司 CIXI WANJIE ELECTRONIC CO., LTD						名称 / TITLE	GUT2.5-103-PE-00A	