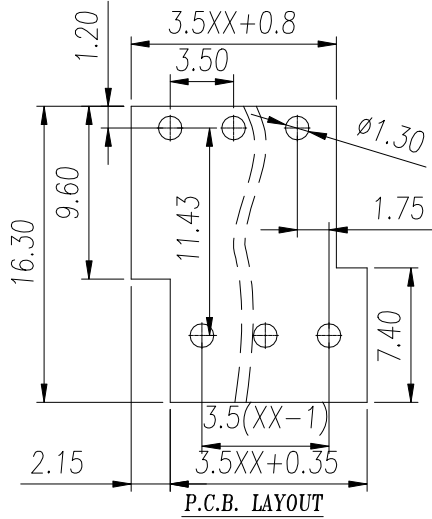
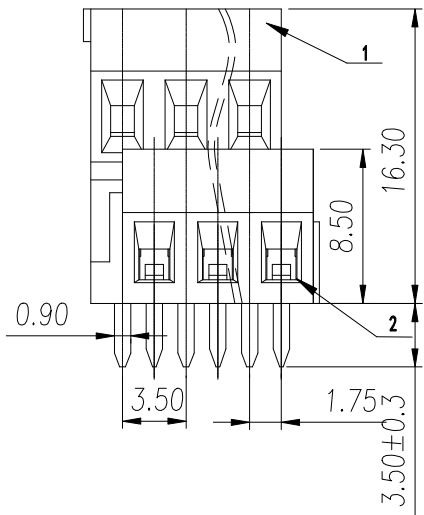
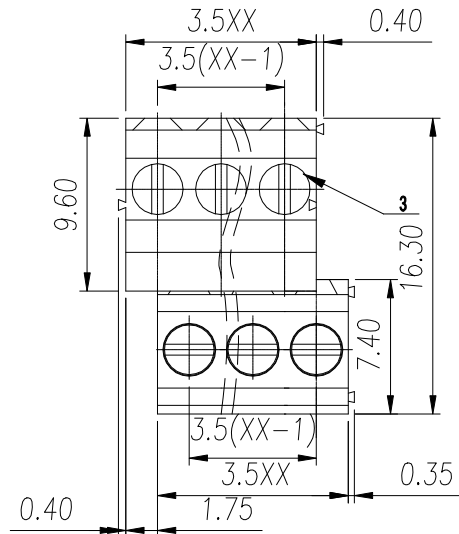
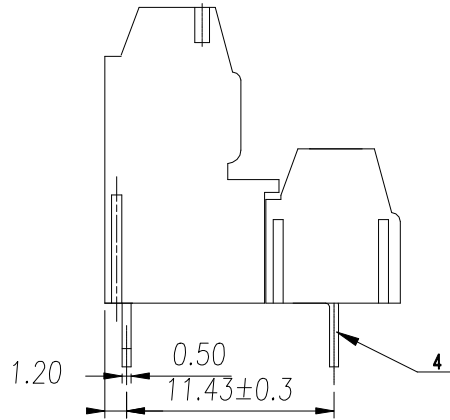


Transfer or duplication of this document as well as the utilization or communication of its contents are prohibited unless explicit authorization is granted. Violations will be liable for compensation. All rights reserved for patent, utility model, or designs registrations. 除非给予明确授权，否则禁止转让、复制、利用、交还本文件的内容，否则将承担法律责任。本公司保留国内及国外专利、实用新型和外观设计的所有权利。



P.C.B. LAYOUT



REVISION RECORD

REV.	DESCRIPTION	ECN No.	APPROVED	DATE
V0	新发行		CY	23.11.24

UL/CUL 技术参数	UL/CUL Technical Data		
等级 Use Group	B	C	D
额定电压 Rated Voltage [V]	300	-	300
额定电流 Rated Current [A]	10	-	10
接线范围 Wire Range	28-16		
单/多芯线 Solid/Stranded [AWG]			
耐电压 Withstanding Voltage	1600V/1Min		
IEC 技术参数	IEC Technical Data		
过电压类别 Overvoltage Category	III	III	II
污染等级 Contamination Class	3	2	2
额定电压 Rated Voltage [V]	160	200	400
额定电流 Rated Current [A]	13.5	13.5	13.5
额定冲击电压 Impulse withstand voltage [KV]	2.5	2.5	2.5
导线截面积 Conductor cross section	0.5-1.0		
硬质/柔性导线 Solid/flexible [mm ²]			
一般参数 Other Data			
间距 Pitch / 极数 Poles [mm] / [P]	3.5 / 2*02~2*24		
剥线长度 Stripping Length [mm]	4-5		
螺丝 Screw/ 扭矩 Torque(Max) [N.m]	M2/0.2		
工作温度 Operating temperature [°C]	-40~105		
焊锡温度 Soldering temperature	260°C/5S		

General Tolerances

variable range	to 6	over 6 to 10	over 10 to 30	over 30 to 60	over 60 to 100	over 100 to 160	over 160 to 10	over 10 to 100	over 100 to 0.60	
tolerance	±0.20	±0.30	±0.50	±0.70	±1.00	±1.30	±1.60	0.10	0.30	0.60

ITEM	NAME OF PART	MATERIAL	NOTES
4	Header pin	Copper Alloy	Sn Plated
3	Screw	Steel	M2/Zn Plated
2	Cage	Copper Alloy	M2/Ni Plated
1	Housing	PA66	UL94V-0

DES.	CY	DATE	23.11.24	UNITS	mm	THIRD ANGLE PROJECTION
CHK.	YangHJ	DATE	23.11.24	SIZE	A4	TYPE: CUSTOMER DRAWING
APP.	JASON	DATE	23.11.24	SCALE	2.5:1	DRAWING TYPE: SP-03
慈溪市万捷电子有限公司 CIXI WANJIE ELECTRONIC CO., LTD						PART NO.: WJJK350A-3.5-2*XXP-1Y-00A