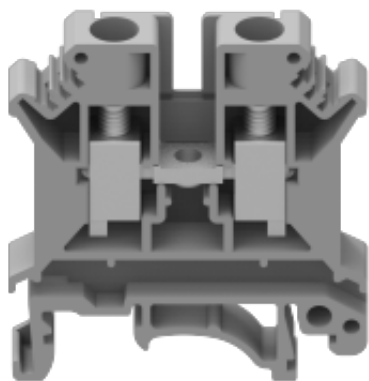


# GUK6N-102

GUK Universal combination terminal block

Download date : 2023-03-24



Electrical Diagram :



For reference only!version1.0

## CUL Technical Data (UL1059 )

Use Group	B	C	D
Rated Voltage [V]	600	600	600
Rated Current [A]	50	50	5
Withstanding Voltage	2200V/1Min		
Wire Range	24-8AWG		

## IEC Technical Data (IEC 60947-7-1)

Overvoltage Category	III
Contamination Class	3
Rated Voltage [V]	800V
Rated Current [A]	41A
Impulse withstand voltage	8KV

## Conductor cross section

Soild	0.2-10mm <sup>2</sup>
Flexible	0.2-6mm <sup>2</sup>
Flexible with ferrule	0.25-6mm <sup>2</sup>

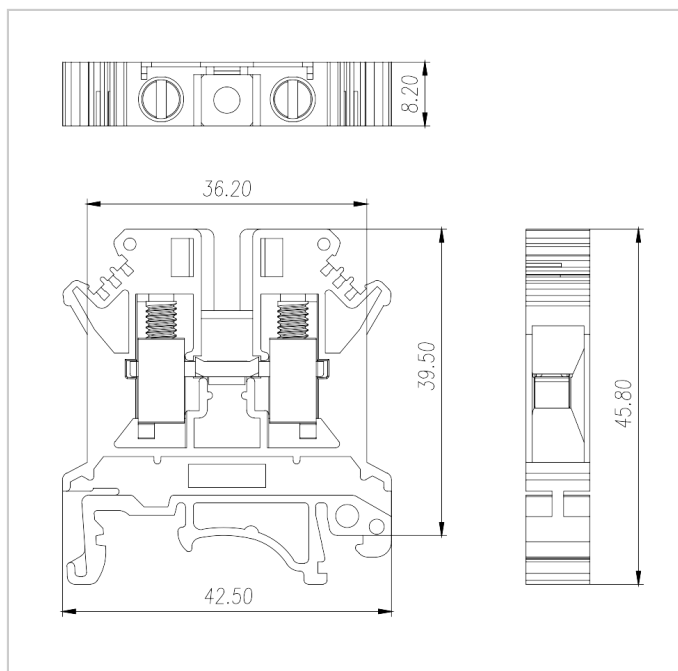
## Material

Insulation Material	PA66
Flame retardant rating	UL94V-0
Conductor Material	Copper alloy
Plating of conductor surface	Ni plated

## Other Data

Length/Height/Thickness [mm]	42.5/45.8/8.2
Connection Points	2
Stripping Length [mm]	10-11
Type of rail	DIN 35/32
Screw/Torque(Max)[N.m]	M4/1.5-1.8
Operating temperature [°C]	-40~+105

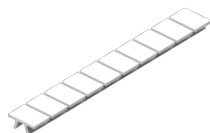
## Dimensions



## Accessories



[FUKB6-XX](#)



[MUV6-10](#)

-

[EB-35](#)

-

[EW-35](#)

[DGL2-35x7.5A-XXXX](#)

[DGL2-35x7.5B-XXXX](#)

[DGL2-35x7.5C-XXXX](#)

[DGL2-35x7.5D-XXXX](#)