



额定电流: 15A

额定电压: 300V

使用线径: 28-12AWG

间距:5.0mm



目录仅供参考，实际规格依产品工程图为准 版本1.0

技术数据-UL/CUL

| 等级 Use Group | B | C | D |
|----------------------------------|-----|-------|-----|
| 额定电压 Rate Voltage [V] | 300 | - | 300 |
| 额定电流 Rated Current [A] | 15 | - | 10 |
| 接线范围 Wire Range [AWG] | | - | |
| 耐电压 Dielectric Voltage-Withstand | | 1.6KV | |

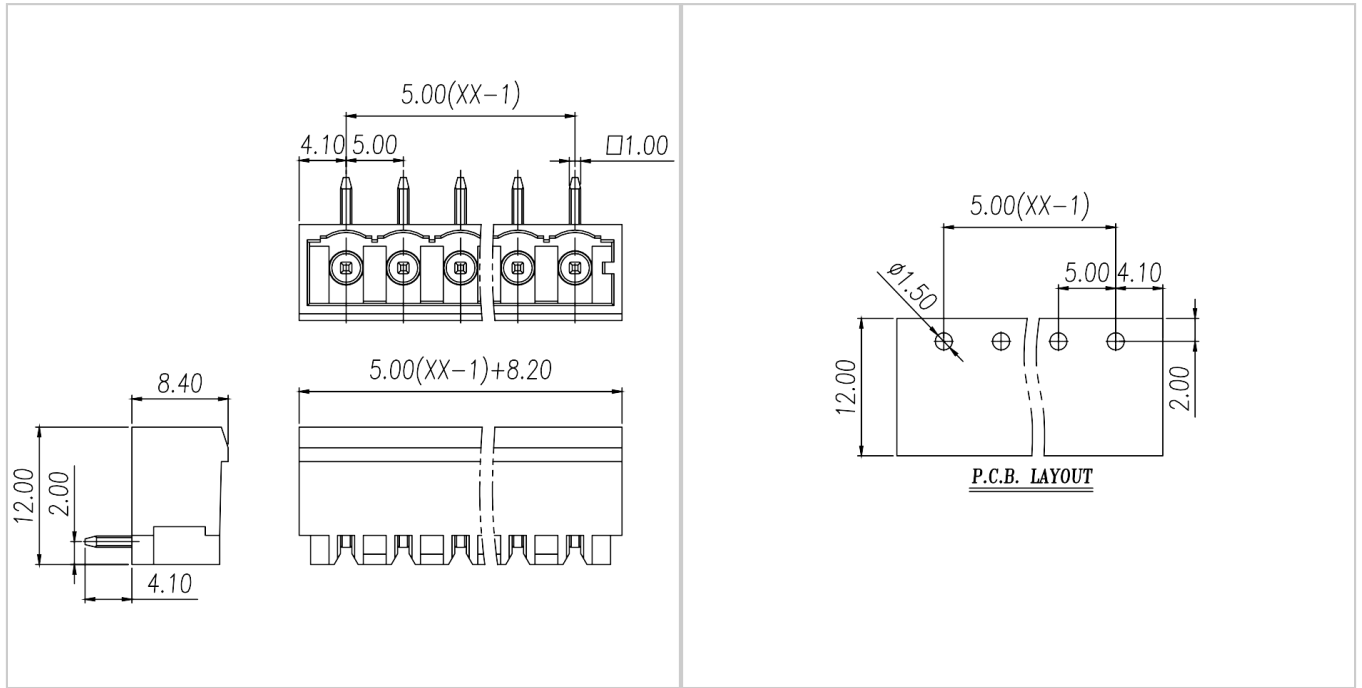
技术参数-IEC

| 过电压类别 Overvoltage Category | III | III | II |
|---------------------------------------|-----|-----|-----|
| 污染等级 Contamination Class | 3 | 2 | 2 |
| 额定电压 Rated Voltage [V] | 320 | 320 | 630 |
| 额定电流 Rated Current [A] | 12 | 12 | 12 |
| 额定冲击电压 Impulse withstand voltage [KV] | 4 | 4 | 4 |

| | |
|---|----------------|
| 导线截面积[硬/柔] Conductor cross section [mm ²] | - |
| 材料 Material | |
| 绝缘材料 Insulation Material | PA66 |
| 阻燃等级 Flame retardant rating | UL94V-0 |
| 导体材料 Conductor Material | Copper alloy |
| 导体表面镀层 Plating of conductor surface | Sn plated |
| 一般参数 Other Date | |
| 间距/极数 Pitch/Poles [mm]/[P] | 5.0/2-24 |
| 剥线长度 Stripping Length [mm] | - |
| 螺丝/扭矩 Screw/Torque(Max)[N.m] | - |
| 工作温度 Operating temperature [°C] | -40 ~ +105 |
| 焊接方式 Soldering method | Wave soldering |
| 引针尺寸 Pin dimensions [mm] | 1.0*1.0 |
| PCB板孔径 PCB Hole Diameter [mm] | Ø1.5 |

尺寸图

PCB开孔图



适配产品



WJ0401-01XX



WJ0401-03XX



WJ0401-05XX



WJ0401-07XX



WJ0405-01XX



WJ0405-03XX



WJ0406-01XX

WJ0406-03XX

WJ0406-05XX