

额定电流: 16A

额定电压: 300V

间距:7.5mm

安装: 回流焊



目录仅供参考，实际规格依产品工程图为准 版本1.0

技术数据-UL/CUL

等级 Use Group	B	C	D	D
额定电压 Rate Voltage [V]	300	300	600	600
额定电流 Rated Current [A]	16	16	5	16
接线范围 Wire Range [AWG]	-			
耐电压 Dielectric Voltage-Withstand	1.6KV			

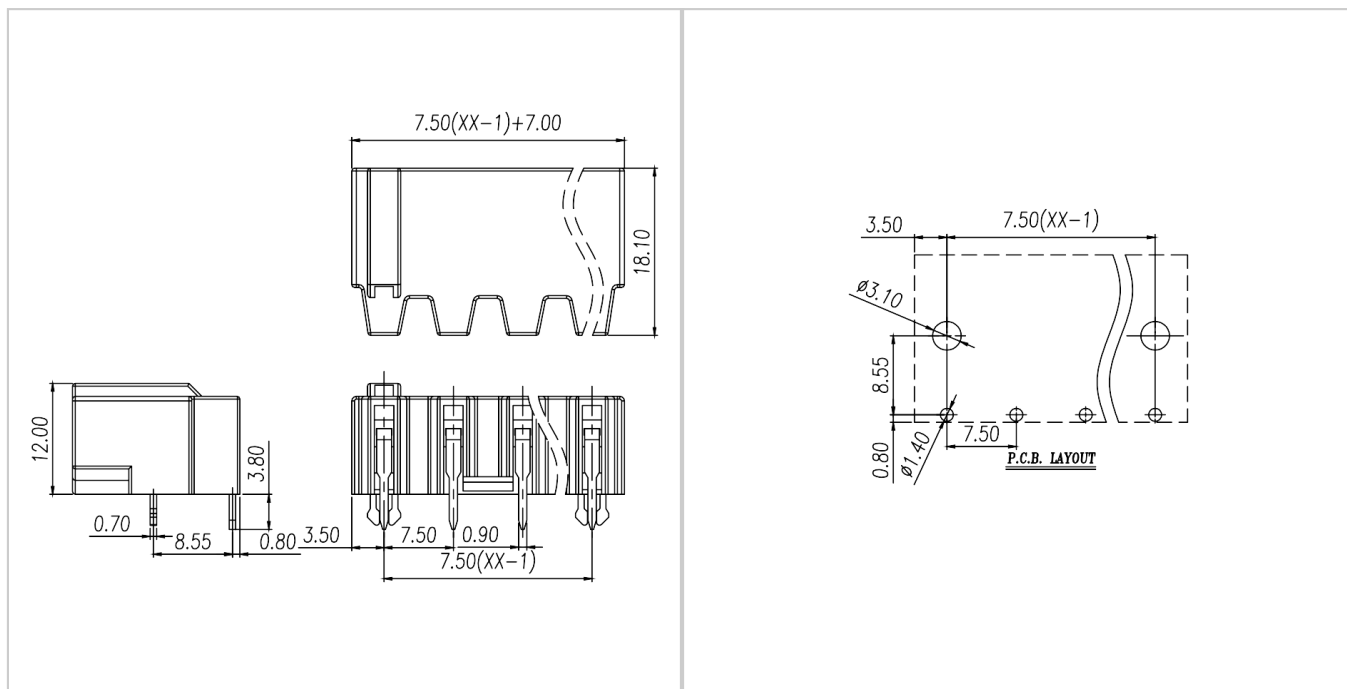
技术参数-IEC

过电压类别 Overvoltage Category	III	III	II
污染等级 Contamination Class	3	2	2
额定电压 Rated Voltage [V]	500	630	1000
额定电流 Rated Current [A]	20	20	20
额定冲击电压 Impulse withstand voltage [KV]	6	6	6

导线截面积[硬/柔] Conductor cross section [mm ²]	-
材料 Material	
绝缘材料 Insulation Material	LCP
阻燃等级 Flame retardant rating	UL94V-0
导体材料 Conductor Material	Copper alloy
导体表面镀层 Plating of conductor surface	Au plated area
一般参数 Other Date	
间距/极数 Pitch/Poles [mm]/[P]	7.5/02-09,11
剥线长度 Stripping Length [mm]	-
螺丝/扭矩 Screw/Torque(Max)[N.m]	-
工作温度 Operating temperature [°C]	-40 ~ +130
焊接方式 Soldering method	Reflow Soldering
引针尺寸 Pin dimensions [mm]	0.7*0.9
PCB板孔径 PCB Hole Diameter [mm]	Ø1.4

尺寸图

PCB开孔图



适配产品



WJ9KS-7.5