

额定电流: 16A  
 额定电压: 300V  
 使用线径: 28-12AWG  
 间距:7.5mm



目录仅供参考，实际规格依产品工程图为准 版本1.0

### 技术数据-UL/CUL

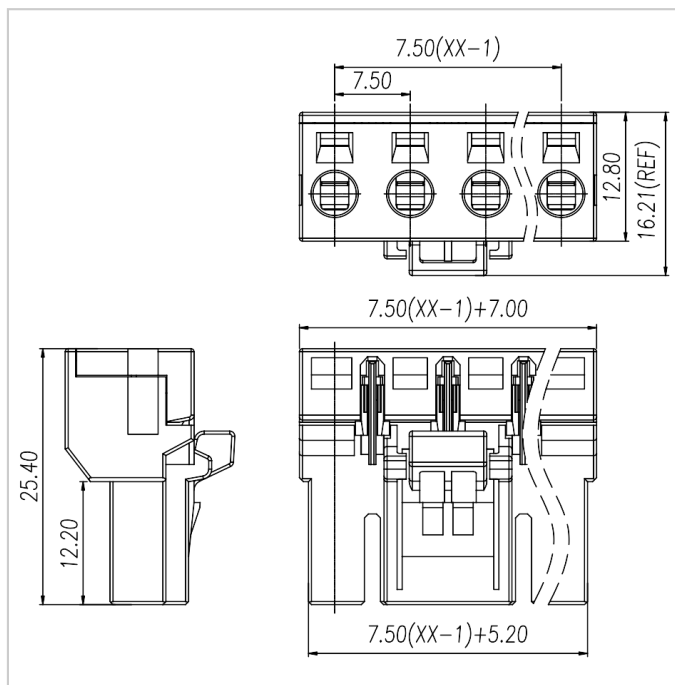
等级 Use Group	B	C	D	F
额定电压 Rate Voltage [V]	300	300	600	600
额定电流 Rated Current [A]	16	16	5	16
接线范围 Wire Range [AWG]	28-12			
耐电压 Dielectric Voltage-Withstand	1.6KV			

### 技术参数-IEC

过电压类别 Overvoltage Category	III	III	II
污染等级 Contamination Class	3	2	2
额定电压 Rated Voltage [V]	500	630	1000
额定电流 Rated Current [A]	20	20	20
额定冲击电压 Impulse withstand voltage [KV]	6	6	6

导线截面积[硬/柔] Conductor cross section [mm <sup>2</sup> ]	0.2-2.5
<b>材料 Material</b>	
绝缘材料 Insulation Material	PA66
阻燃等级 Flame retardant rating	UL94V-0
导体材料 Conductor Material	Copper alloy
导体表面镀层 Plating of conductor surface	Au plated area
<b>一般参数 Other Date</b>	
间距/极数 Pitch/Poles [mm]/[P]	7.5/2-9,11
剥线长度 Stripping Length [mm]	7-8
螺丝/扭矩 Screw/Torque(Max)[N.m]	-
工作温度 Operating temperature [°C]	-40 ~ +105

尺寸图



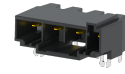
适配产品



WJT01



WJG03-7.5



WJ9RC-7.5