

额定电流: 35A

额定电压: 300V

使用线径: 30-10AWG

间距:7.62mm



目录仅供参考，实际规格依产品工程图为准 版本1.0

技术数据-UL/CUL

等级 Use Group	B	C	D
额定电压 Rate Voltage [V]	300	300	600
额定电流 Rated Current [A]	35	35	5
接线范围 Wire Range [AWG]	30-10		
耐电压 Dielectric Voltage-Withstand	1.6KV		

技术参数-IEC

过电压类别 Overvoltage Category	III	III	II
污染等级 Contamination Class	3	2	2
额定电压 Rated Voltage [V]	400	630	1000
额定电流 Rated Current [A]	20	20	20
额定冲击电压 Impulse withstand voltage [KV]	6	6	6

导线截面积[硬/柔] Conductor cross section [mm²]

0.2-4.0

材料 Material

绝缘材料 Insulation Material

PA66

阻燃等级 Flame retardant rating

UL94V-0

导体材料 Conductor Material

Copper alloy

导体表面镀层 Plating of conductor surface

Sn plated

一般参数 Other Date

间距/极数 Pitch/Poles [mm]/[P]

7.62/2-12

剥线长度 Stripping Length [mm]

7-8

螺丝/扭矩 Screw/Torque(Max)[N.m]

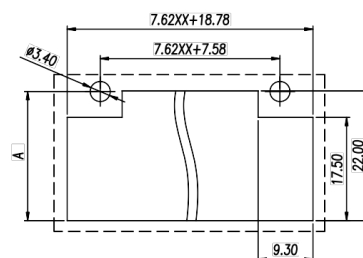
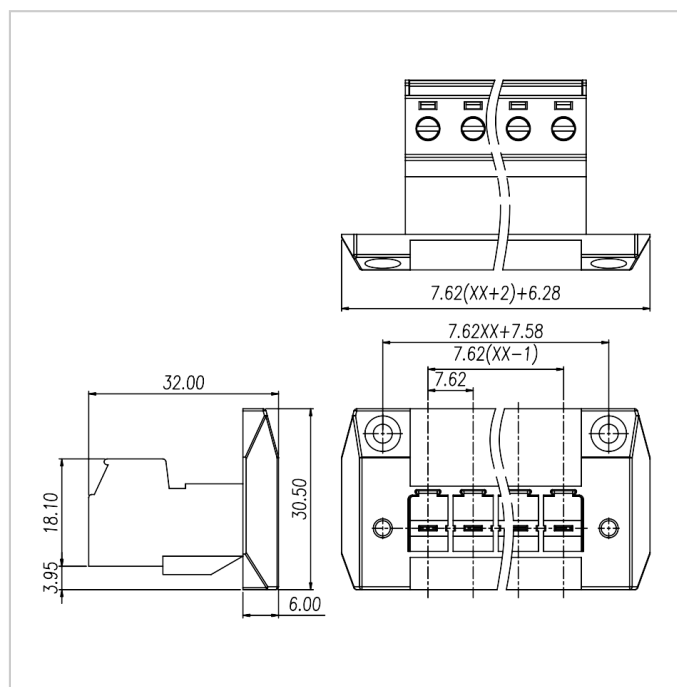
M3/0.5

工作温度 Operating temperature [°C]

-40 ~ +105

尺寸图

PCB开孔图



A	21.4	21.9	22.5	23.1	23.7
W(Board thickness)	1	2	3	4	5

P.C.B. LAYOUT

适配产品



WJ3EDGKM-7.62



WJ3EDGKVM-7.62



WJ3EDGKHM-7.62