

额定电流: 20A

额定电压: 600V

使用线径: 30-12AWG

间距:7.62mm

目录仅供参考，实际规格依产品工程图为准 版本1.0

技术数据-UL/CUL

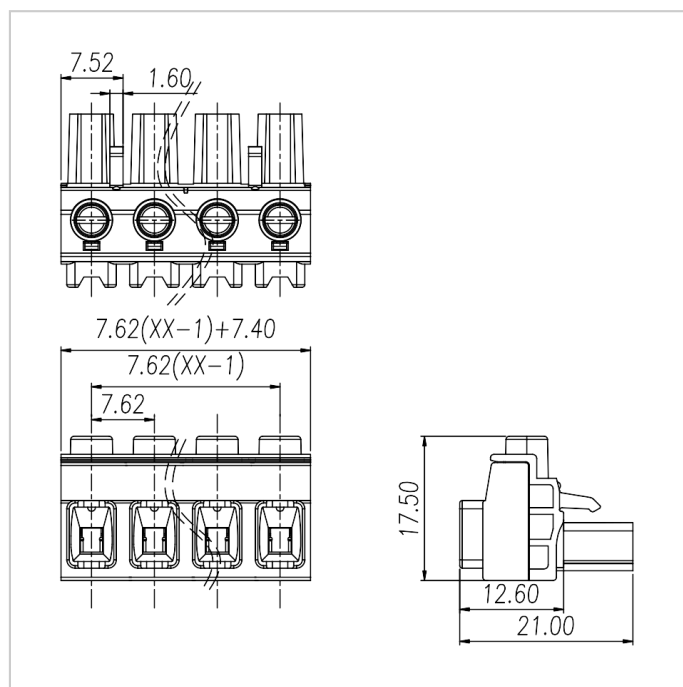
等级 Use Group	B	C	D
额定电压 Rate Voltage [V]	600	600	-
额定电流 Rated Current [A]	20	20	-
接线范围 Wire Range [AWG]	30-12		
耐电压 Dielectric Voltage-Withstand	2.2KV		

技术参数-IEC

过电压类别 Overvoltage Category	III	III	II
污染等级 Contamination Class	3	2	2
额定电压 Rated Voltage [V]	1000	1000	1000
额定电流 Rated Current [A]	16	16	16
额定冲击电压 Impulse withstand voltage [KV]	8	8	6

导线截面积[硬/柔] Conductor cross section [mm ²]	0.2-2.5
材料 Material	
绝缘材料 Insulation Material	PA66
阻燃等级 Flame retardant rating	UL94V-0
导体材料 Conductor Material	Copper alloy
导体表面镀层 Plating of conductor surface	Sn plated
一般参数 Other Date	
间距/极数 Pitch/Poles [mm]/[P]	7.62/2-12
剥线长度 Stripping Length [mm]	8
螺丝/扭矩 Screw/Torque(Max)[N.m]	M3/0.5
工作温度 Operating temperature [°C]	-40 ~ +105

尺寸图



适配产品



WJ2EDGV-7.62



WJ2EDGR-7.62



WJ2EDGVC-7.62



WJ2EDGRC-7.62



WJ2KHR-7.62