

插拔式接线端子

额定电流: 5A

额定电压: 150V

使用线径: 26-20AWG

间距:2.54mm



目录仅供参考，实际规格依产品工程图为准 版本1.0

## 技术数据-UL/CUL

等级 Use Group	B	C	D
额定电压 Rate Voltage [V]	150	-	-
额定电流 Rated Current [A]	5	-	-
接线范围 Wire Range [AWG]	26-20		
耐电压 Dielectric Voltage-Withstand	1.3KV		

## 技术参数-IEC

过电压类别 Overvoltage Category	III	III	II
污染等级 Contamination Class	3	2	2
额定电压 Rated Voltage [V]	100	160	320
额定电流 Rated Current [A]	5	5	5
额定冲击电压 Impulse withstand voltage [KV]	1.5	2.5	2.5

导线截面积[硬/柔] Conductor cross section [mm <sup>2</sup> ]	0.2-0.5
-------------------------------------------------------	---------

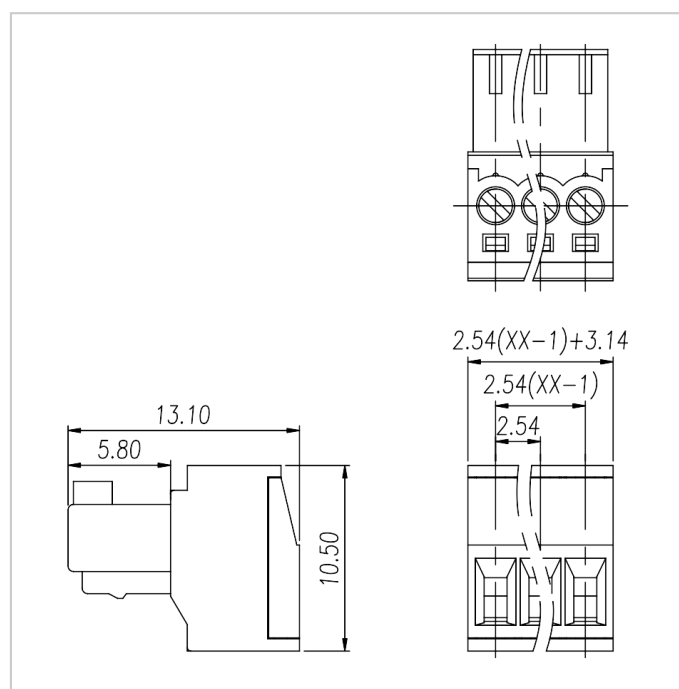
## 材料 Material

绝缘材料 Insulation Material	PA66
阻燃等级 Flame retardant rating	UL94V-0
导体材料 Conductor Material	Copper alloy
导体表面镀层 Plating of conductor surface	Sn plated

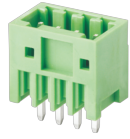
## 一般参数 Other Date

间距/极数 Pitch/Poles [mm]/[P]	2.54/2-24
剥线长度 Stripping Length [mm]	5-6
螺丝/扭矩 Screw/Torque(Max)[N.m]	M1.6/0.1
工作温度 Operating temperature [°C]	-40 ~ +105

## 尺寸图



## 适配产品



WJ15EDGVC-2.54



WJ15EDGRC-2.54