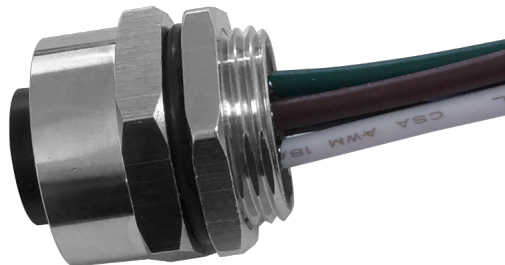


7/8" 母头面板式, 后锁安装, 带电子线



目录仅供参考, 实际规格依产品工程图为准 版本1.0

连接器系列 Connector Series: 7/8"

类型 Gender	Female 母
编码 Coding	A
装配方式 Locking Type	Fix Screw 锁螺丝
安装类型 Mounting Type	Rear Fastened 后锁
产品编码 Part No	M87-A**-ST0-F02-BH*-XXX

技术参数 Technical Data

工作温度 Ambient Temperatur	-25°C~+85°C
绝缘电阻 Insulation Resistance	≥100MΩ
接触电阻 Contact Resistance	≤5mΩ
防护等级 IP Class	IP67
机械寿命 Mating Endurance	>100 Mating Cycles

材质说明 Material Data

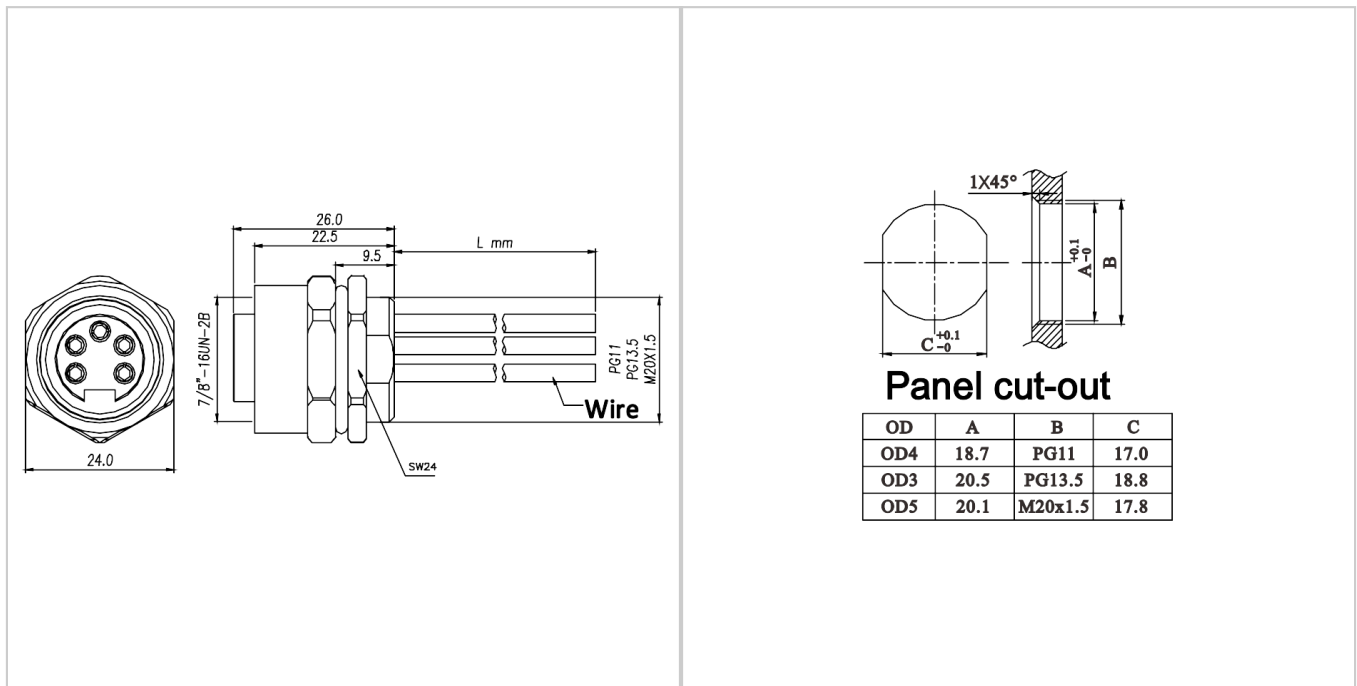
胶芯材料 Connector Carriers	PA
接触端子 Connector Contacts	Copper Alloy With Gold Plated 铜镀金
螺母/螺丝 Connector Nut/Screw	Copper Alloy With Nickel Plated 铜镀镍
屏蔽 Shielding	Unshielded 非屏蔽
密封胶圈 Seal/O-Ring	FKM 氟橡胶

电气参数&机械参数 Electrical Data & Mechanical Date

Pin数 Contacts Pin [Pins]	2	3	4	5
额定电流 Rated Current [A]	13	13	13	8
电压 Voltage AC/DC [V]	300/300			
接线范围 Wire Range AWG/mm ²	18/1.0			

尺寸图

PCB开孔图



The technical drawings show the connector's dimensions and PCB cut-out details. The main drawing includes dimensions: 24.0 (outer diameter), 7/8"-16UN-2B (thread), 26.0 (total length), 22.5 (length to contact), 9.5 (length to nut), L mm (wire length), SW24 (nut), and wire specifications: PG11, PG13.5, M20x1.5. The PCB cut-out drawing shows a 1X45° chamfer, dimensions A, B, C, and a hole diameter of $\phi_{-0.1}^{+0.1}$.

Panel cut-out

OD	A	B	C
OD4	18.7	PG11	17.0
OD3	20.5	PG13.5	18.8
OD5	20.1	M20x1.5	17.8

适配产品



M87-A**-ST0-M02-BC*-XXX



M87-A**-RA0-M02-BC*-XXX



M87-A**-ST0-MF2-BT*-XXX



M87-A**-ST0-MF2-BTF