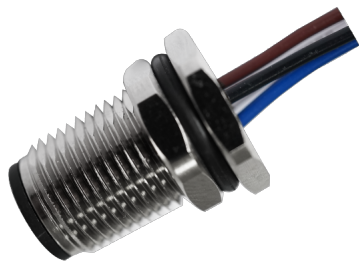


M12 公头面板式，焊接式，前锁安装，焊电子线



目录仅供参考，实际规格依产品工程图为准 版本1.0

连接器系列 Connector Series: M12

| | |
|--------------------|-------------------------|
| 类型 Gender | Male 公 |
| 编码 Coding | A,B,C,D |
| 装配方式 Locking Type | Fix Screw 锁螺丝 |
| 安装类型 Mounting Type | Front Fastened 前锁 |
| 产品编码 Part No | M12-X**-ST0-M02-BQ3-XXX |

技术参数 Technical Data

| | |
|----------------------------|----------------|
| 标准 Standard | IEC61076-2-101 |
| 工作温度 Ambient Temperatur | -25°C~+80°C |
| 绝缘电阻 Insulation Resistance | ≥100MΩ |
| 接触电阻 Contact Resistance | ≤5mΩ |
| 防护等级 IP Class | IP67 |

机械寿命 Mating Endurance

>100 Mating Cycles

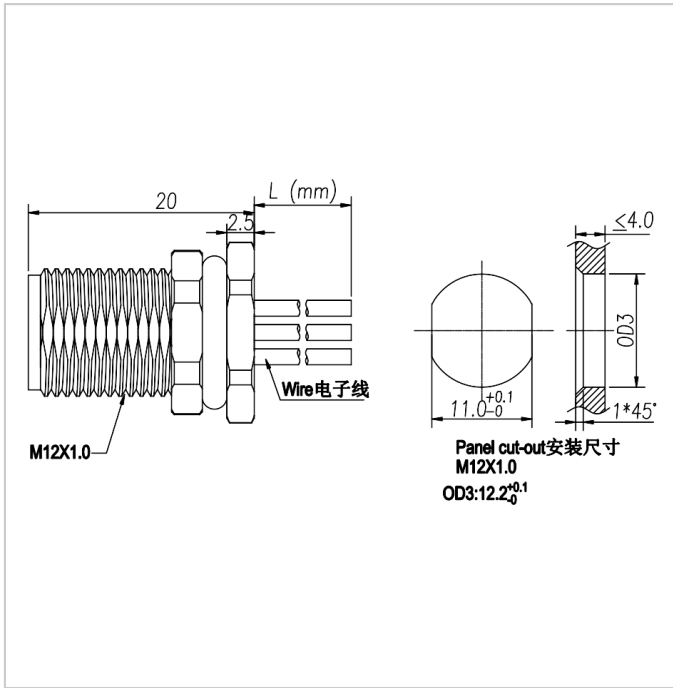
材质说明 Material Data

| | |
|---------------------------|-------------------------------------|
| 胶芯材料 Connector Carriers | PA |
| 接触端子 Connector Contacts | Copper Alloy With Gold Plated 铜镀金 |
| 螺母/螺丝 Connector Nut/Screw | Copper Alloy With Nickel Plated 铜镀镍 |
| 屏蔽 Shielding | Unshielded 非屏蔽 |
| 密封胶圈 Seal/O-Ring | FKM 氟橡胶 |
| 连接方式 Contacts Termination | Solder Type 焊接式 |

电气参数&机械参数 Electrical Data & Mechanical Date

| | | | | | | | |
|-------------------------------------|---------|---------|--------------------------|---------|---------|---------|---------|
| Pin数 Contacts Pin [Pins] | 3 | 4 | 5 | 6 | 8 | 12 | 17 |
| 额定电流 Rated Current [A] | 4 | 4 | 4/2 | 2 | 2 | 1.5 | 1.5 |
| 电压 Voltage AC/DC [V] | 250/250 | 250/250 | 60/60 | 30/30 | 30/30 | 30/30 | 30/30 |
| 接线范围 Wire Range AWG/mm ² | 22/0.34 | 22/0.34 | 22,24/0.34,0.25 (C-code) | 24/0.25 | 24/0.25 | 26/0.14 | 26/0.14 |

尺寸图



适配产品



M12-X**-ST0-F02-BC*-XXX



M12-X**-RA0-F02-BC*-XXX



M12-X**-ST2-F02-BC*-XXX



M12-X**-RA2-F02-BC*-XXX



M12-X**-ST0-F02-BC*-XXX



M12-X**-ST0-F02-BC*-XXX



M12-X**-ST0-F02-BV*-XXX



M12-X**-ST0-F02-BFM



M12-X**-ST2-M02-BF*



M12-X**-ST0-F02-BMT



M12-X**-ST0-F02-SC*-XXX



M12-X**-RA0-F02-SC*-XXX



M12-X**-ST2-F02-SC*-XXX



M12-X**-ST0-F02-SV*-XXX



M12-X**-ST0-F04-PS*



M12-X**-RA0-F04-PS*

M12-X**-ST2-F04-BS*

M12-X**-RA2-F04-BS*