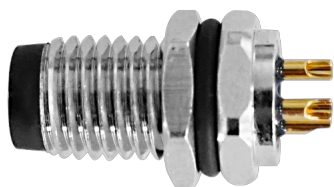


M8 公头面板式，焊接型，前锁安装



目录仅供参考，实际规格依产品工程图为准 版本1.0

连接器系列 Connector Series: M8

| | |
|--------------------|---------------------|
| 类型 Gender | Male 公 |
| 编码 Coding | A , B |
| 装配方式 Locking Type | Fix Screw 锁螺丝 |
| 安装类型 Mounting Type | Front Fastened 前锁 |
| 产品编码 Part No | M08-X**-ST0-M02-BQ1 |

技术参数 Technical Data

| | |
|----------------------------|----------------|
| 标准 Standard | IEC61076-2-104 |
| 工作温度 Ambient Temperatur | -25°C~+85°C |
| 绝缘电阻 Insulation Resistance | ≥100MΩ |
| 接触电阻 Contact Resistance | ≤5mΩ |
| 防护等级 IP Class | IP67 |

| | |
|-----------------------|--------------------|
| 机械寿命 Mating Endurance | >100 Mating Cycles |
|-----------------------|--------------------|

材质说明 Material Data

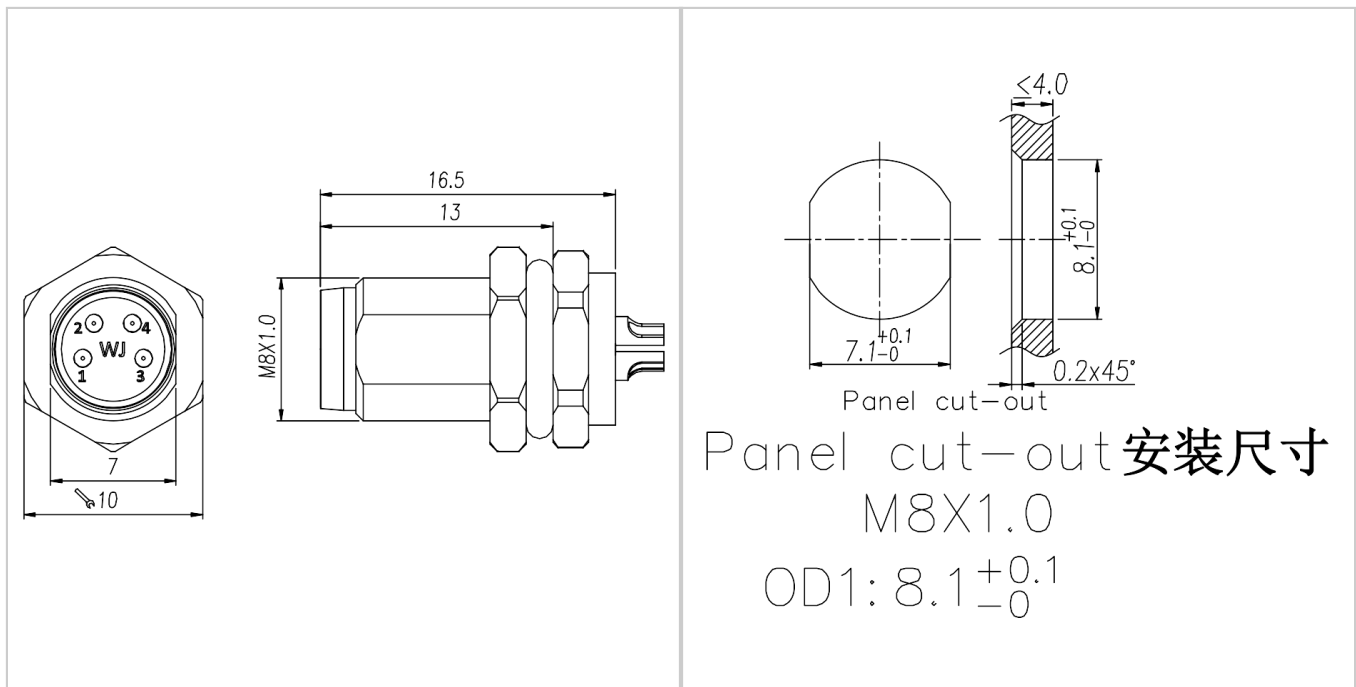
| | |
|---------------------------|-------------------------------------|
| 胶芯材料 Connector Carriers | PA |
| 接触端子 Connector Contacts | Copper Alloy With Gold Plated 铜镀金 |
| 螺母/螺丝 Connector Nut/Screw | Copper Alloy With Nickel Plated 铜镀镍 |
| 屏蔽 Shielding | Unshielded 非屏蔽 |
| 密封胶圈 Seal/O-Ring | FKM 氟橡胶 |

电气参数&机械参数 Electrical Data & Mechanical Date

| | | | | | |
|---------------------------|---------|---------|---------|---------|---------|
| Pin数 Contacts Pin [Pins] | 3 | 4 | 5 | 6 | 8 |
| 额定电流 Rated Current [A] | 3 | 3 | 3 | 1.5 | 1.5 |
| 电压 Voltage AC/DC [V] | 50/60 | 50/60 | 30/30 | 30/30 | 30/30 |
| 接线范围 Wire Range [AWG/mm²] | 24/0.25 | 24/0.25 | 24/0.25 | 26/0.14 | 26/0.14 |

尺寸图

PCB开孔图



Panel cut-out 安装尺寸
M8X1.0
OD1: $8.1^{+0.1}_{-0}$

适配产品



M08-X**-ST0-F02-BC*-XXX



M08-X**-RA0-F02-BC*-XXX



M08-X**-ST0-F02-BV*-XXX



M08-X**-ST0-F02-BFM



M08-X**-ST0-F04-PS1



M08-X**-ST2-F04-ZS1