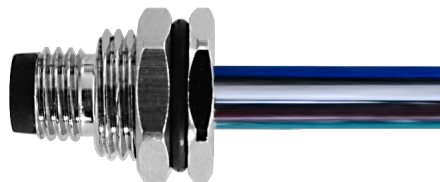


M8 公头面板式，焊接型，前锁安装，焊电子线



目录仅供参考，实际规格依产品工程图为准 版本1.0

## 连接器系列 Connector Series: M8

|                    |                         |
|--------------------|-------------------------|
| 类型 Gender          | Male 公                  |
| 编码 Coding          | A , B                   |
| 装配方式 Locking Type  | Fix Screw 锁螺丝           |
| 安装类型 Mounting Type | Front Fastened 前锁       |
| 产品编码 Part No       | M08-X**-ST0-M02-BQ4-XXX |

## 技术参数 Technical Data

|                            |                |
|----------------------------|----------------|
| 标准 Standard                | IEC61076-2-104 |
| 工作温度 Ambient Temperatur    | -25°C~+85°C    |
| 绝缘电阻 Insulation Resistance | ≥100MΩ         |
| 接触电阻 Contact Resistance    | ≤5mΩ           |
| 防护等级 IP Class              | IP67           |

|                       |                    |
|-----------------------|--------------------|
| 机械寿命 Mating Endurance | >100 Mating Cycles |
|-----------------------|--------------------|

材质说明 Material Data

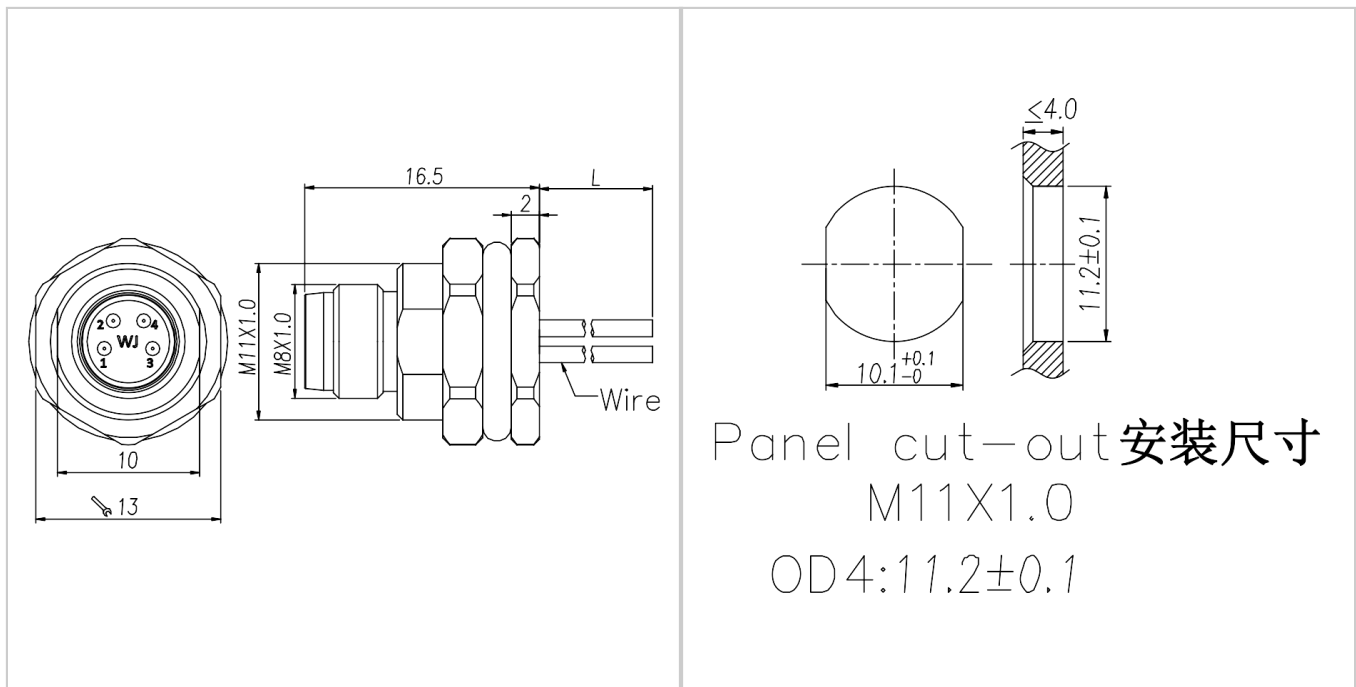
|                           |                                     |
|---------------------------|-------------------------------------|
| 胶芯材料 Connector Carriers   | PA                                  |
| 接触端子 Connector Contacts   | Copper Alloy With Gold Plated 铜镀金   |
| 螺母/螺丝 Connector Nut/Screw | Copper Alloy With Nickel Plated 铜镀镍 |
| 屏蔽 Shielding              | Unshielded 非屏蔽                      |
| 密封胶圈 Seal/O-Ring          | FKM 氟橡胶                             |

电气参数&机械参数 Electrical Data & Mechanical Date

|                           |         |         |         |         |         |
|---------------------------|---------|---------|---------|---------|---------|
| Pin数 Contacts Pin [Pins]  | 3       | 4       | 5       | 6       | 8       |
| 额定电流 Rated Current [A]    | 3       | 3       | 3       | 1.5     | 1.5     |
| 电压 Voltage AC/DC [V]      | 50/60   | 50/60   | 30/30   | 30/30   | 30/30   |
| 接线范围 Wire Range [AWG/mm²] | 24/0.25 | 24/0.25 | 24/0.25 | 26/0.14 | 26/0.14 |

尺寸图

PCB开孔图



Panel cut-out 安装尺寸  
M11X1.0  
OD4:11.2±0.1

适配产品



M08-X\*\*-ST0-F02-BC\*-XXX



M08-X\*\*-RA0-F02-BC\*-XXX



M08-X\*\*-ST0-F02-BV\*-XXX



M08-X\*\*-ST0-F02-BFM



M08-X\*\*-ST0-F04-PS1



M08-X\*\*-ST2-F04-ZS1