

插拔式连接器

额定电流: 5A

额定电压: 150V

使用线径: 30-20AWG

间距:2.54mm

安装: 直插式弹簧连接



目录仅供参考，实际规格依产品工程图为准 版本1.0

技术数据-UL/CUL

| 等级 Use Group | B | C | D |
|----------------------------------|-------|---|---|
| 额定电压 Rate Voltage [V] | 150 | - | - |
| 额定电流 Rated Current [A] | 5 | - | - |
| 接线范围 Wire Range [AWG] | 30-20 | | |
| 耐电压 Dielectric Voltage-Withstand | 1.3KV | | |

技术参数-IEC

| 过电压类别 Overvoltage Category | III | III | II |
|---------------------------------------|-----|-----|-----|
| 污染等级 Contamination Class | 3 | 2 | 2 |
| 额定电压 Rated Voltage [V] | 160 | 160 | 320 |
| 额定电流 Rated Current [A] | 6 | 6 | 6 |
| 额定冲击电压 Impulse withstand voltage [KV] | 2.5 | 2.5 | 2.5 |

导线截面积[硬/柔] Conductor cross section [mm²]

0.2-0.5

材料 Material

绝缘材料 Insulation Material

PA66

阻燃等级 Flame retardant rating

UL94V-0

导体材料 Conductor Material

Copper alloy

导体表面镀层 Plating of conductor surface

Sn plated

一般参数 Other Date

间距/极数 Pitch/Poles [mm]/[P]

2.54/2*2-2*24

剥线长度 Stripping Length [mm]

7-8

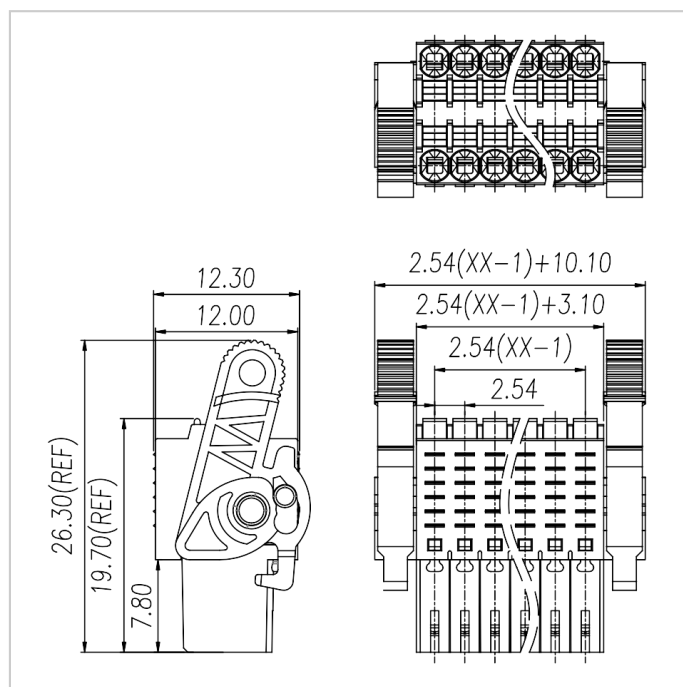
螺丝/扭矩 Screw/Torque(Max)[N.m]

-

工作温度 Operating temperature [°C]

-40 ~ +105

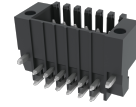
尺寸图



适配产品



WJ15EDGVHSM-THR-2.54



WJ15EDGRHSM-THR-2.54