

额定电流: 20A

额定电压: 600V

使用线径: 26-12AWG



目录仅供参考，实际规格依产品工程图为准 版本1.0

技术数据-UL (1059)

| 等级 Use Group | B | C | D |
|------------------------|-------|-----|-----|
| 额定电压 Rate Voltage [V] | 600 | 600 | 600 |
| 额定电流 Rated Current [A] | 20 | 20 | 5 |
| 接线范围 Wire Range [AWG] | 26~12 | | |

技术参数-IEC (60947-7-1)

| | |
|---|---------|
| 额定电压 Rated Voltage [V] | 800 |
| 额定电流 Rated Current [A] | 24 |
| 单芯 Solid [mm ²] | 0.2-4.0 |
| 柔性导线 Flexible [mm ²] | 0.2-2.5 |
| 柔性导线带冷压头 Flexible with ferrule [mm ²] | 0.2-2.5 |
| 过电压类别 Overvoltage Category | III |

| | |
|---------------------------------------|---|
| 污染等级 Contamination Class | 3 |
| 额定冲击电压 Impulse withstand voltage [KV] | 8 |

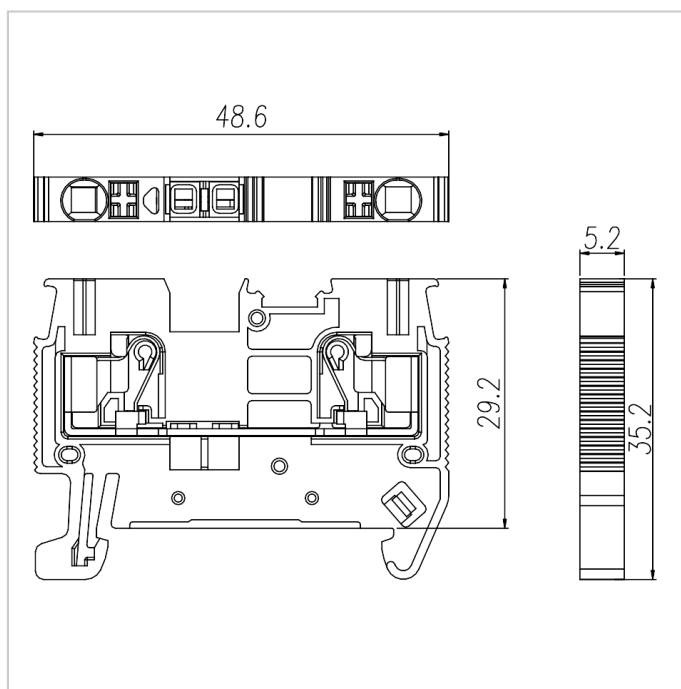
材料 Material

| | |
|-------------------------------------|--------------|
| 绝缘材料 Insulation Material | PA66 |
| 阻燃等级 Flame retardant rating | UL94V-0 |
| 导体材料 Conductor Material | Copper alloy |
| 导体表面镀层 Plating of conductor surface | Sn plated |

一般参数 Other Date

| | |
|------------------------------------|---------------|
| 长/高/厚 Length/Height/Thickness [mm] | 48.6/35.2/5.2 |
| 剥线长度 Stripping Length [mm] | 8-10 |

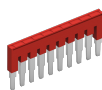
尺寸图



适配产品



DUV2.5-102



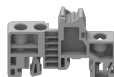
FUVA2.5-XX



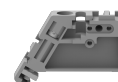
MUV2.5-10



PUV2.5-96



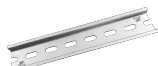
EB-35



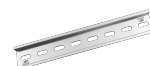
EW-35



DGL2-35x7.5A



DGL2-35x7.5B



DGL2-35x7.5C



DGL2-35x7.5D