

Rated current: 15A  
Rated voltage: 300V  
Use wire diameter: 28-12AWG  
spacing:7.62mm



The catalog is for reference only. The actual specifications are subject to the product engineering drawings. version 1.0

### UL/CUL

Use Group	B	C	D
Rate Voltage [V]	300	-	300
Rated Current [A]	15	-	10
Wire Range [AWG]	28-12		
Dielectric Voltage-Withstand	1.6KV		

### IEC

Overvoltage Category	III	III	II
Contamination Class	3	2	2
Rated Voltage [V]	320	320	630
Rated Current [A]	12	12	12

Impulse withstand voltage [KV]	4	4	4
Conductor cross section [mm <sup>2</sup> ]	0.25-2.5		

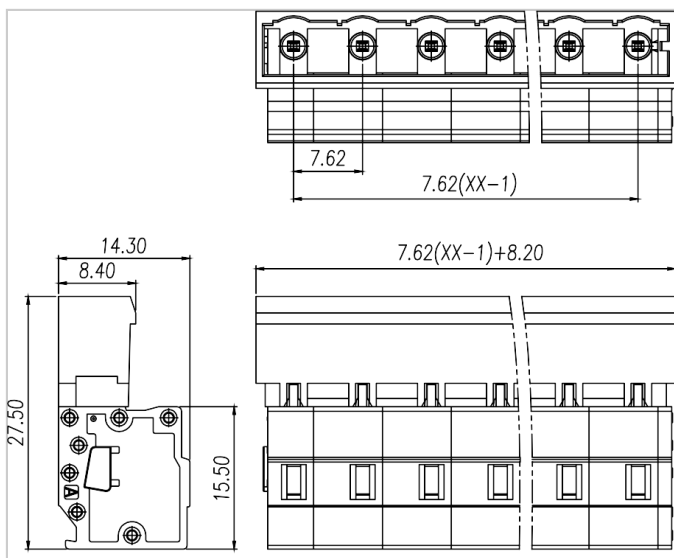
### Material

Insulation Material	PA66
Flame retardant rating	UL94V-0
Conductor Material	Copper alloy
Plating of conductor surface	Sn plated

### Other Date

Pitch/Poles [mm]/[P]	7.62/2-24
Stripping Length [mm]	8-9
Screw/Torque(Max)[N.m]	-
Operating temperature [°C]	-40 ~ +105

### Dimensions



### Accessories



WJ0701-01XX



WJ0701-03XX



WJ0701-05XX



WJ0701-07XX



WJ0705-01XX



WJ0705-03XX