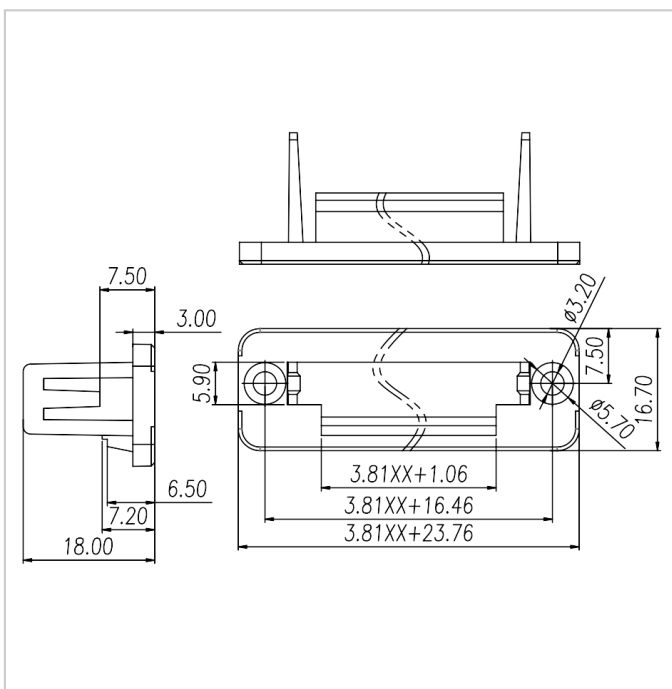


spacing:3.81mm

The catalog is for reference only. The actual specifications are subject to the product engineering drawings. version 1.0

### Dimensions



## Accessories



WJ15EDGKDRN-3.81