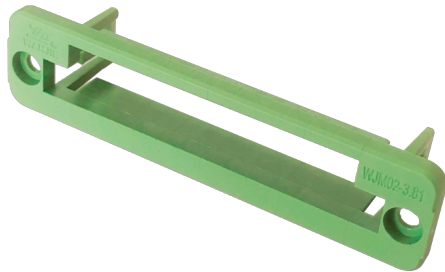


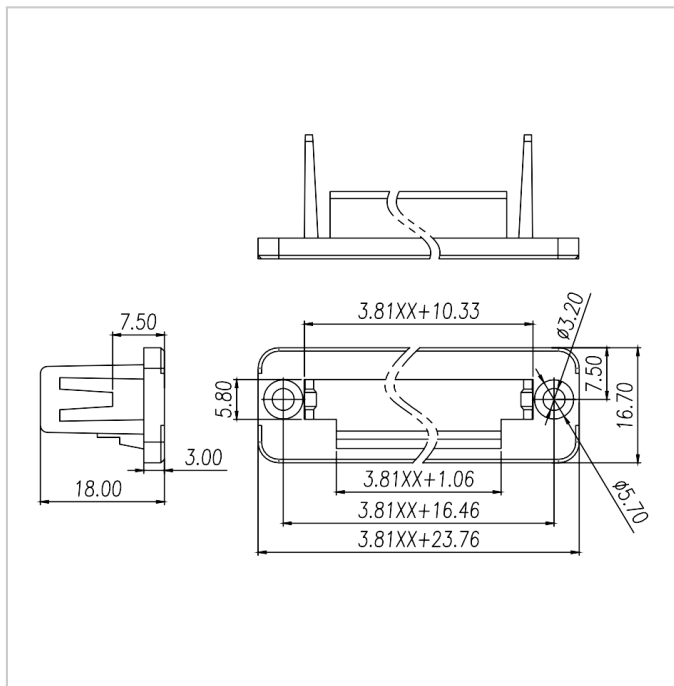


spacing:3.81mm



The catalog is for reference only. The actual specifications are subject to the product engineering drawings. version 1.0

Dimensions



Accessories



WJ15EDGKRN-3.81