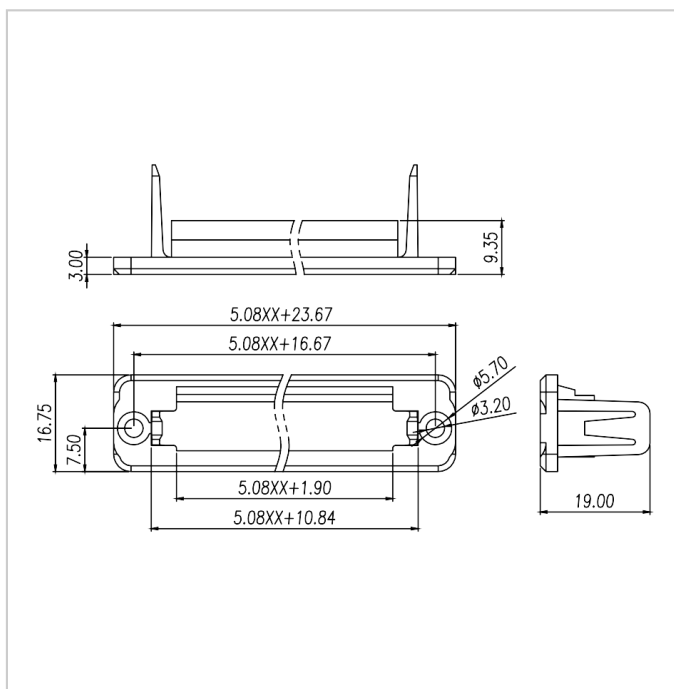


spacing:5.08mm



The catalog is for reference only. The actual specifications are subject to the product engineering drawings. version 1.0

### Dimensions



## Accessories



WJ2EDGKRN-5.08