

Rated current: 16A
 Rated voltage: 300V
 Use wire diameter: 28-12AWG
 spacing:7.5mm



The catalog is for reference only. The actual specifications are subject to the product engineering drawings. version 1.0

UL/CUL

Use Group	B	C	D	F
Rate Voltage [V]	300	300	600	600
Rated Current [A]	16	16	5	16
Wire Range [AWG]	28-12			
Dielectric Voltage-Withstand	1.6KV			

IEC

Overvoltage Category	III	III	II
Contamination Class	3	2	2
Rated Voltage [V]	500	630	1000
Rated Current [A]	20	20	20

Impulse withstand voltage [KV]	6	6	6
Conductor cross section [mm ²]	0.2-2.5		

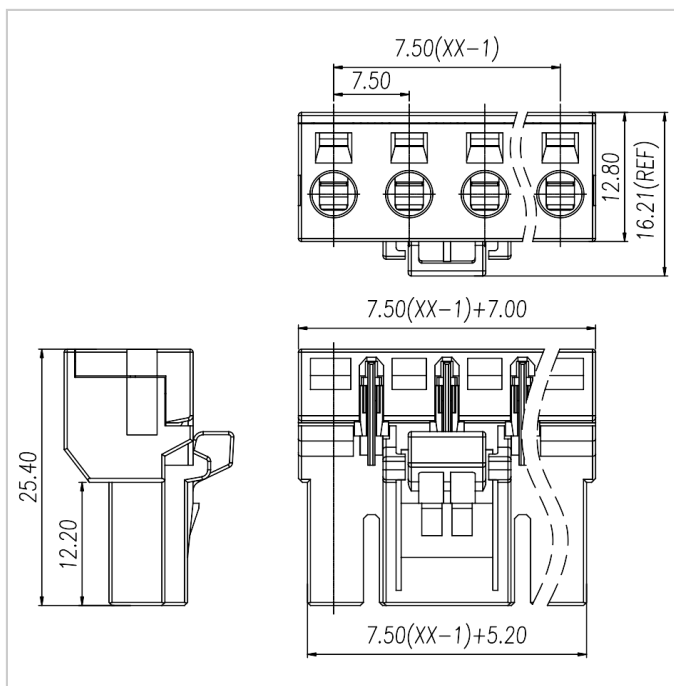
Material

Insulation Material	PA66
Flame retardant rating	UL94V-0
Conductor Material	Copper alloy
Plating of conductor surface	Au plated area

Other Date

Pitch/Poles [mm]/[P]	7.5/2-9,11
Stripping Length [mm]	7-8
Screw/Torque(Max)[N.m]	-
Operating temperature [°C]	-40 ~ +105

Dimensions



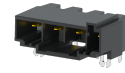
Accessories



WJT01



WJG03-7.5



WJ9RC-7.5