



Rated current: 55A

Rated voltage: 600V

Use wire diameter: 20-6AWG

spacing:10.16mm



The catalog is for reference only. The actual specifications are subject to the product engineering drawings. version 1.0

UL/CUL

Use Group	B	C	D
Rate Voltage [V]	600	600	600
Rated Current [A]	55	55	5
Wire Range [AWG]	20-6		
Dielectric Voltage-Withstand	2.2KV		

IEC

Overvoltage Category	III	III	II
Contamination Class	3	2	2
Rated Voltage [V]	1000	1000	1000
Rated Current [A]	76	76	76

Impulse withstand voltage [KV]	8	8	6
Conductor cross section [mm ²]	0.5-16		

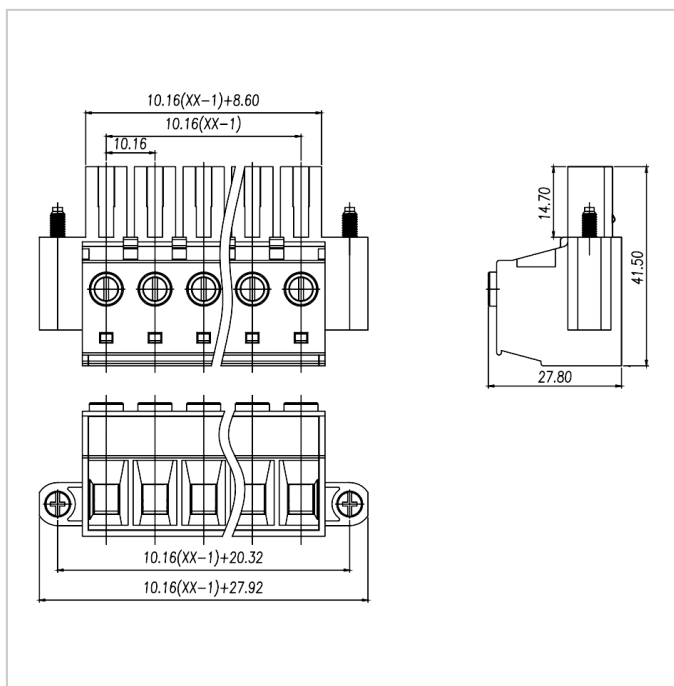
Material

Insulation Material	PA66
Flame retardant rating	UL94V-0
Conductor Material	Copper alloy
Plating of conductor surface	Sn plated

Other Date

Pitch/Poles [mm]/[P]	10.16/2-18
Stripping Length [mm]	13-14
Screw/Torque(Max)[N.m]	M4/1.2
Operating temperature [°C]	-40 ~ +105

Dimensions



Accessories



WJ3EDGVM-10.16



WJ3EDGRM-10.16



WJ3EDGRRM-10.16