

Rated current: 35A

Rated voltage: 300V

Use wire diameter: 30-10AWG

spacing:7.62mm



The catalog is for reference only. The actual specifications are subject to the product engineering drawings. version 1.0

UL/CUL

Use Group	B	C	D
Rate Voltage [V]	300	300	600
Rated Current [A]	35	35	5
Wire Range [AWG]	30-10		
Dielectric Voltage-Withstand	1.6KV		

IEC

Overvoltage Category	III	III	II
Contamination Class	3	2	2
Rated Voltage [V]	400	630	1000
Rated Current [A]	20	20	20

Impulse withstand voltage [KV]	6	6	6
Conductor cross section [mm ²]	0.2-4.0		

Material

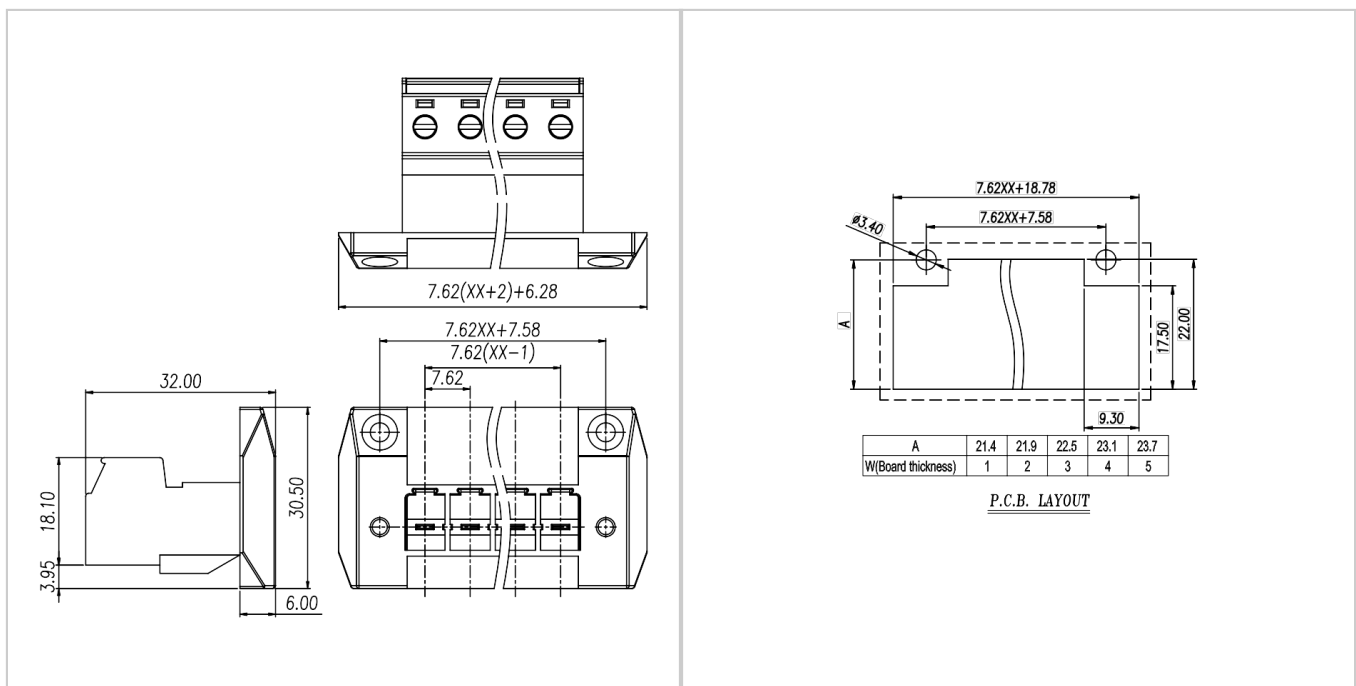
Insulation Material	PA66
Flame retardant rating	UL94V-0
Conductor Material	Copper alloy
Plating of conductor surface	Sn plated

—Other Date

Pitch/Poles [mm]/[P]	7.62/2-12
Stripping Length [mm]	7-8
Screw/Torque(Max)[N.m]	M3/0.5
Operating temperature [°C]	-40 ~ +105

Dimensions

PCB hole diagram



Accessories



WJ3EDGKM-7.62



WJ3EDGKVM-7.62



WJ3EDGKHM-7.62