



Rated current: 15A  
Rated voltage: 300V  
spacing:5.0mm



The catalog is for reference only. The actual specifications are subject to the product engineering drawings. version 1.0

### UL/CUL

Use Group	B	C	D
Rate Voltage [V]	300	-	300
Rated Current [A]	15	-	10
Wire Range [AWG]		-	
Dielectric Voltage-Withstand		1.6KV	

### IEC

Overvoltage Category	III	III	II
Contamination Class	3	2	2
Rated Voltage [V]	250	320	630
Rated Current [A]	15	15	15

Impulse withstand voltage [KV]	4	4	4
Conductor cross section [mm <sup>2</sup> ]	-		

### Material

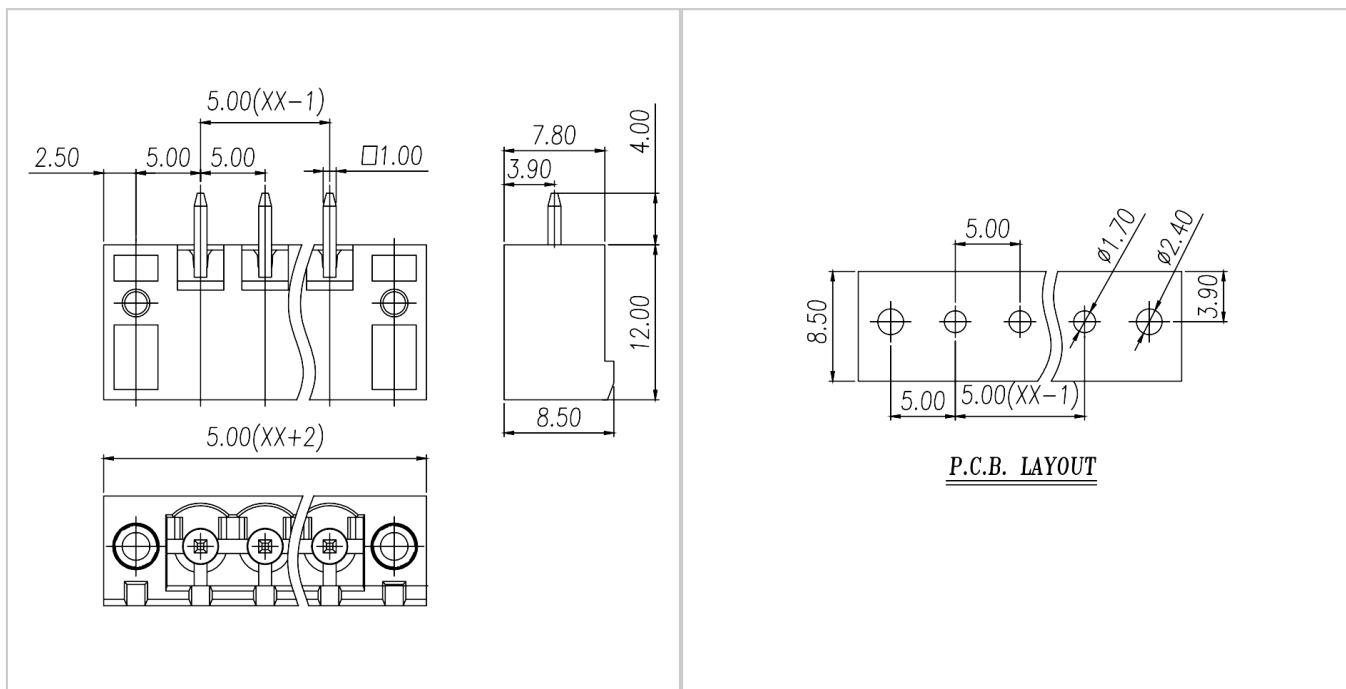
Insulation Material	PA66
Flame retardant rating	UL94V-0
Conductor Material	Copper alloy
Plating of conductor surface	Sn plated

### Other Date

Pitch/Poles [mm]/[P]	5.0/2-24
Stripping Length [mm]	-
Screw/Torque(Max)[N.m]	-
Operating temperature [°C]	-40 ~ +105
Soldering method	Wave soldering
Pin dimensions [mm]	1.0*1.0
PCB Hole Diameter [mm]	Ø1.7

### Dimensions

### PCB hole diagram



### Accessories



WJ2EDGKM-5.0



WJ2EDGKAM-5.0



WJ2EDGKBM-5.0



WJ2EDGKCM-5.0



WJ2EDGKDM-5.0



WJ2EDGKDAM-5.0



WJ2EDGKDBM-5.0

WJ2EDGKZM-5.0

WJ2EDGKNM-5.0