



Rated current: 15A
Rated voltage: 600V
spacing:10.0mm



The catalog is for reference only. The actual specifications are subject to the product engineering drawings. version 1.0

UL/CUL

Use Group	B	C	D
Rate Voltage [V]	600	-	600
Rated Current [A]	15	-	5
Wire Range [AWG]		-	
Dielectric Voltage-Withstand		2.2KV	

IEC

Overvoltage Category	III	III	II
Contamination Class	3	2	2
Rated Voltage [V]	630	1000	1000
Rated Current [A]	15	15	15

Impulse withstand voltage [KV]	8	8	8
Conductor cross section [mm ²]	-		

Material

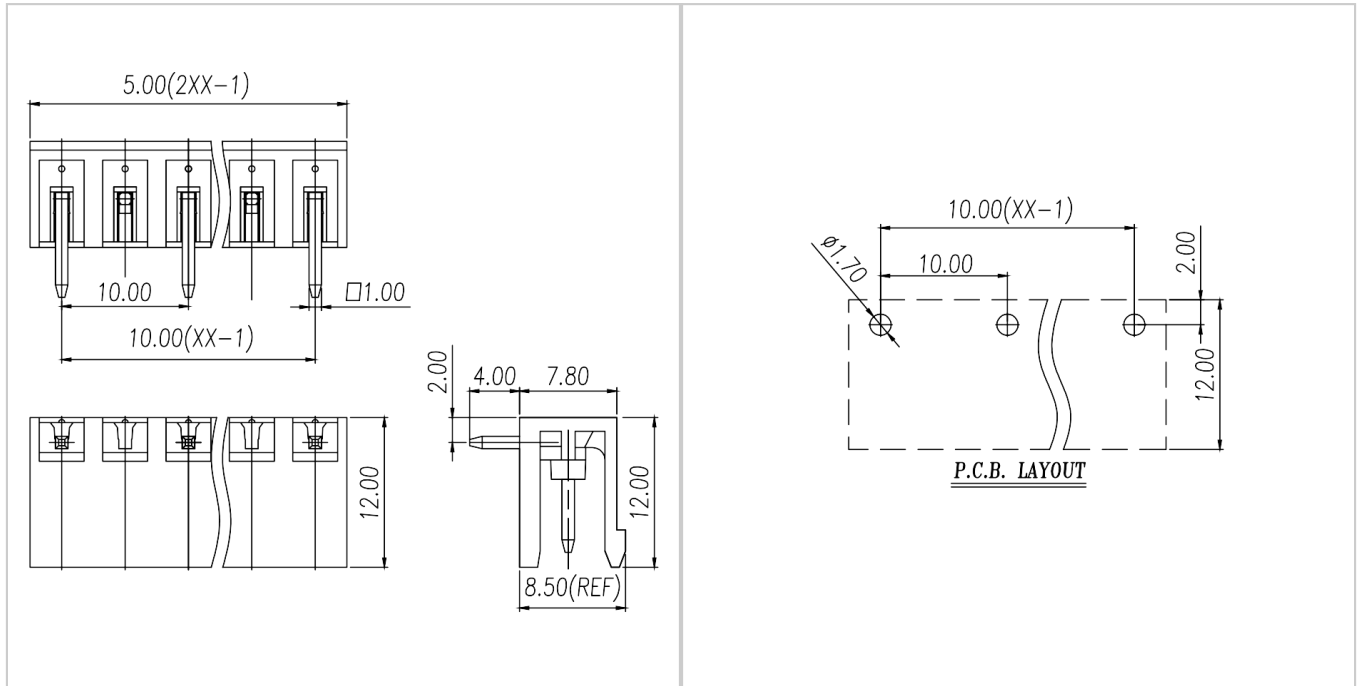
Insulation Material	PA66
Flame retardant rating	UL94V-0
Conductor Material	Copper alloy
Plating of conductor surface	Sn plated

Other Date

Pitch/Poles [mm]/[P]	10.0/2-12
Stripping Length [mm]	-
Screw/Torque(Max)[N.m]	-
Operating temperature [°C]	-40 ~ +105
Soldering method	Wave soldering
Pin dimensions [mm]	1.0*1.0
PCB Hole Diameter [mm]	Ø1.7

Dimensions

PCB hole diagram



Accessories



WJ2EDGR-10.0