



Rated current: 15A
Rated voltage: 300V
spacing:5.08mm



The catalog is for reference only. The actual specifications are subject to the product engineering drawings. version 1.0

UL/CUL

Use Group	B	C	D
Rate Voltage [V]	300	-	300
Rated Current [A]	15	-	10
Wire Range [AWG]		-	
Dielectric Voltage-Withstand		1.6KV	

IEC

Overvoltage Category	III	III	II
Contamination Class	3	2	2
Rated Voltage [V]	320	320	630
Rated Current [A]	12	12	12

Impulse withstand voltage [KV]	4	4	4
Conductor cross section [mm ²]	-		

Material

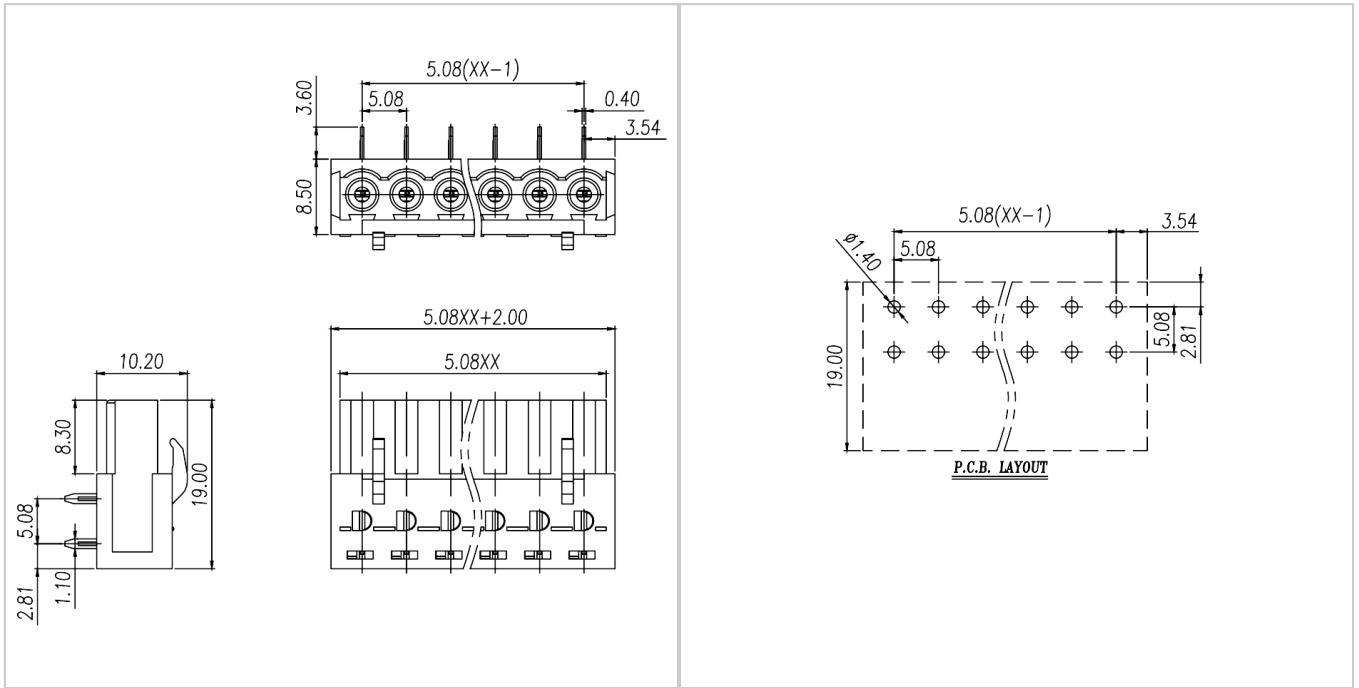
Insulation Material	PA66
Flame retardant rating	UL94V-0
Conductor Material	Copper alloy
Plating of conductor surface	Sn plated

Other Data

Pitch/Poles [mm]/[P]	5.08/2-24
Stripping Length [mm]	-
Screw/Torque(Max)[N.m]	-
Operating temperature [°C]	-40 ~ +105
Soldering method	Wave soldering
Pin dimensions [mm]	0.4*1.1
PCB Hole Diameter [mm]	Ø1.4

Dimensions

PCB hole diagram



Accessories



WJ2EDGV-5.08



WJ2EDGR-5.08



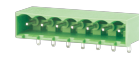
WJ2EDGVC-5.08



WJ2EDGRC-5.08



WJ2EDGRR-5.08



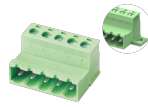
WJ2EDGRRC-5.08



WJ2EDGV-THT-5.08



WJ2EDGVC-THT-5.08



WJ2EDGR-THT-5.08



WJ2EDGRC-THT-5.08



WJ2EDGKR-5.08

WJ2EDGKDR-5.08

WJ2EDGKRZ-5.08