



Rated current: 15A  
Rated voltage: 300V  
Use wire diameter: 28-14AWG  
spacing:4.0mm



The catalog is for reference only. The actual specifications are subject to the product engineering drawings. version 1.0

### UL/CUL

Use Group	B	C	D
Rate Voltage [V]	300	-	300
Rated Current [A]	15	-	10
Wire Range [AWG]	28-14		
Dielectric Voltage-Withstand	1.6KV		

### IEC

Overvoltage Category	III	III	II
Contamination Class	3	2	2
Rated Voltage [V]	250	320	400
Rated Current [A]	17.5	17.5	17.5

Impulse withstand voltage [KV]	4	4	4
Conductor cross section [mm <sup>2</sup> ]	0.2-2.5		

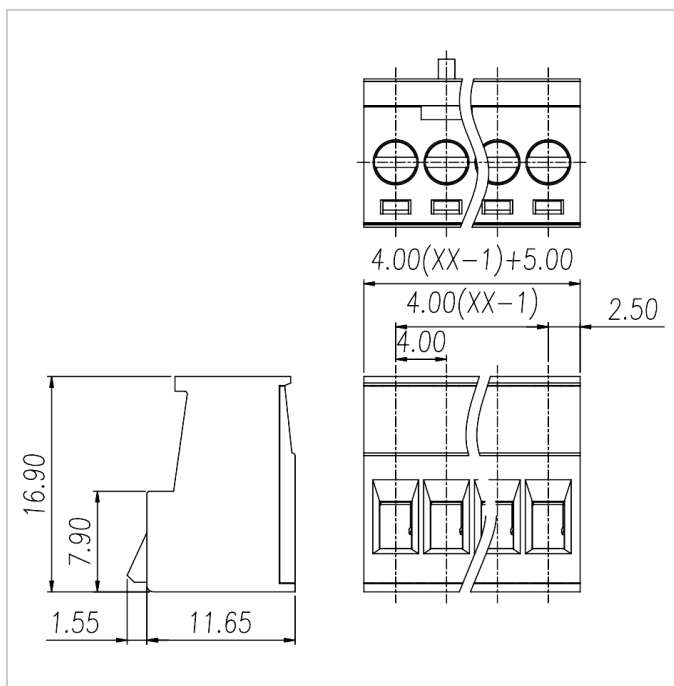
### Material

Insulation Material	PA66
Flame retardant rating	UL94V-0
Conductor Material	Copper alloy
Plating of conductor surface	Sn plated

### Other Date

Pitch/Poles [mm]/[P]	4.0/2-24
Stripping Length [mm]	6-7
Screw/Torque(Max)[N.m]	M2.5/0.4
Operating temperature [°C]	-40 ~ +105

### Dimensions



## Accessories



WJ2EDGJ-4.0