



Rated current: 15A

Rated voltage: 300V

Use wire diameter: 28-12AWG

spacing:5.0mm



The catalog is for reference only. The actual specifications are subject to the product engineering drawings. version 1.0

UL/CUL

Use Group	B	C	D
Rate Voltage [V]	300	-	300
Rated Current [A]	15	-	10
Wire Range [AWG]	28-12		
Dielectric Voltage-Withstand	1.6KV		

IEC

Overvoltage Category	III	III	II
Contamination Class	3	2	2
Rated Voltage [V]	250	320	630
Rated Current [A]	20	20	20

Impulse withstand voltage [KV]	4	4	4
Conductor cross section [mm ²]	0.2-2.5		

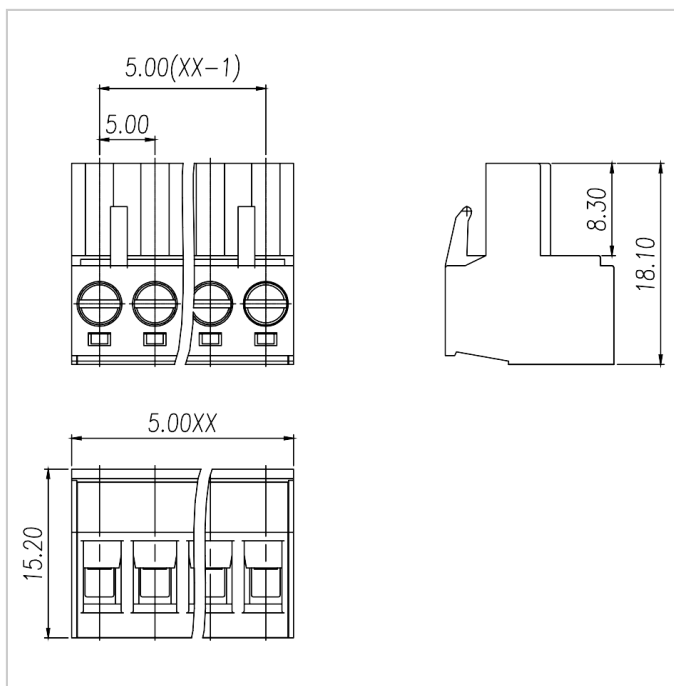
Material

Insulation Material	PA66
Flame retardant rating	UL94V-0
Conductor Material	Copper alloy
Plating of conductor surface	Sn plated

Other Date

Pitch/Poles [mm]/[P]	5.0/2-24
Stripping Length [mm]	7-8
Screw/Torque(Max)[N.m]	M3/0.5
Operating temperature [°C]	-40 ~ +105

Dimensions



Accessories



FMDT-OTA-04P



FMDT-CTA-04P



WJ2EDGV-5.0



WJ2EDGR-5.0



WJ2EDGVC-5.0



WJ2EDGRC-5.0



WJ2EDGRR-5.0



WJ2EDGRRC-5.0



WJ2EDGV-THT-5.0



WJ2EDGVC-THT-5.0



WJ2EDGR-THT-5.0



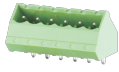
WJ2EDGRC-THT-5.0



WJ2EDGLF-5.0

WJ2EDGRF-5.0

WJ2EDGL-5.0



WJ2EDGLC-5.0



WJ2EDGKDR-5.0



WJ2EDGKRZ-5.08