

Rated current: 10A

Rated voltage: 300V

Use wire diameter: 28-12AWG

spacing:5.08mm



The catalog is for reference only. The actual specifications are subject to the product engineering drawings. version 1.0

UL/CUL

Use Group	B	C	D
Rate Voltage [V]	300	-	300
Rated Current [A]	10	-	10
Wire Range [AWG]	28-12		
Dielectric Voltage-Withstand	1.6KV		

IEC

Overvoltage Category	III	III	II
Contamination Class	3	2	2
Rated Voltage [V]	250	320	630
Rated Current [A]	12	12	12

Impulse withstand voltage [KV]	4	4	4
Conductor cross section [mm ²]	0.2-2.5		

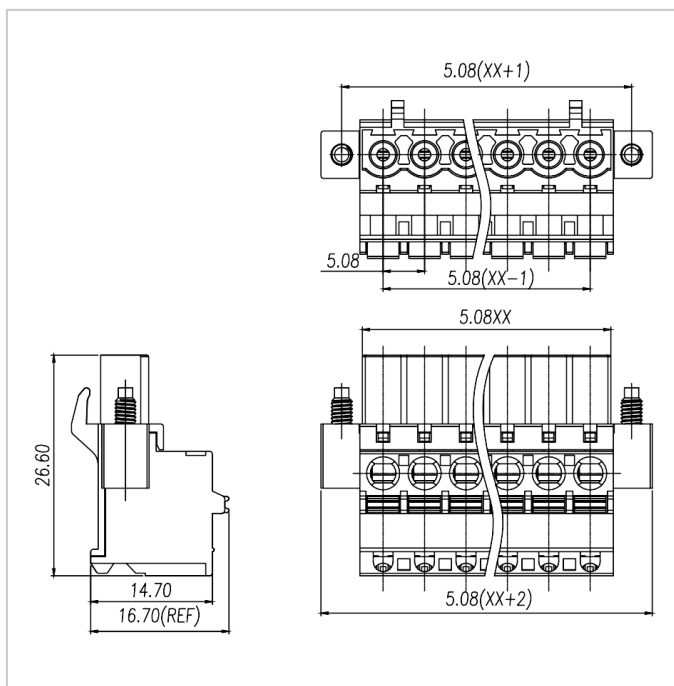
Material

Insulation Material	PA66
Flame retardant rating	UL94V-0
Conductor Material	Copper alloy
Plating of conductor surface	Sn plated

Other Date

Pitch/Poles [mm]/[P]	5.08/2-24
Stripping Length [mm]	9-10
Screw/Torque(Max)[N.m]	-
Operating temperature [°C]	-40 ~ +105

Dimensions



Accessories



WJ2EDGVM-5.08



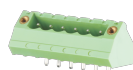
WJ2EDGRM-5.08



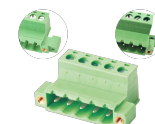
WJ2EDGVM-THT-5.08



WJ2EDGRM-THT-5.08



WJ2EDGLM-5.08



WJ2EDGKRN-5.08

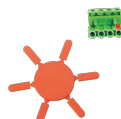


WJ2EDGKDRN-5.08



WJ2CDGM-5.08

Matching components



WJ2EDG-PWI