

Rated current: 15A  
Rated voltage: 600V  
Use wire diameter: 28-12AWG  
spacing:10.0mm



The catalog is for reference only. The actual specifications are subject to the product engineering drawings. version 1.0

### UL/CUL

| Use Group                    | B     | C | D   |
|------------------------------|-------|---|-----|
| Rate Voltage [V]             | 600   | - | 600 |
| Rated Current [A]            | 15    | - | 5   |
| Wire Range [AWG]             | 28-12 |   |     |
| Dielectric Voltage-Withstand | 2.2KV |   |     |

### IEC

| Overvoltage Category | III | III  | II   |
|----------------------|-----|------|------|
| Contamination Class  | 3   | 2    | 2    |
| Rated Voltage [V]    | 630 | 1000 | 1000 |
| Rated Current [A]    | 15  | 15   | 15   |

|  |         |   |   |
|--|---------|---|---|
| Impulse withstand voltage [KV]             | 8       | 8 | 8 |
| Conductor cross section [mm <sup>2</sup> ] | 0.2-2.5 |   |   |

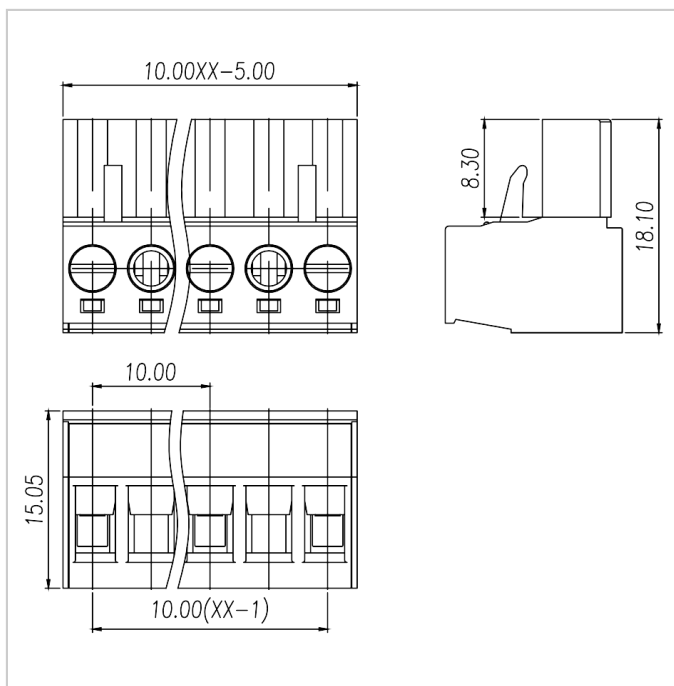
### Material

|                              |              |
|------------------------------|--------------|
| Insulation Material          | PA66         |
| Flame retardant rating       | UL94V-0      |
| Conductor Material           | Copper alloy |
| Plating of conductor surface | Sn plated    |

### Other Date

|                            |            |
|----------------------------|------------|
| Pitch/Poles [mm]/[P]       | 10.0/2-12  |
| Stripping Length [mm]      | 7-8        |
| Screw/Torque(Max)[N.m]     | M3/0.5     |
| Operating temperature [°C] | -40 ~ +105 |

### Dimensions



## Accessories



WJ2EDGV-10.0



WJ2EDGR-10.0

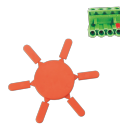


WJ2EDGVC-10.0



WJ2EDGRC-10.0

## Matching components



WJ2EDG-PWI