

Rated current: 8A  
 Rated voltage: 300V  
 Use wire diameter: 28-16AWG  
 spacing:5.08mm



The catalog is for reference only. The actual specifications are subject to the product engineering drawings. version 1.0

UL/CUL

Use Group	B	C	D
Rate Voltage [V]	300	-	300
Rated Current [A]	8	-	8
Wire Range [AWG]	28-16		
Dielectric Voltage-Withstand	1.6KV		

IEC

Overvoltage Category	III	III	II
Contamination Class	3	2	2
Rated Voltage [V]	250	320	630
Rated Current [A]	8	8	8

Impulse withstand voltage [KV]	4	4	4
Conductor cross section [mm <sup>2</sup> ]	0.2-1.5		

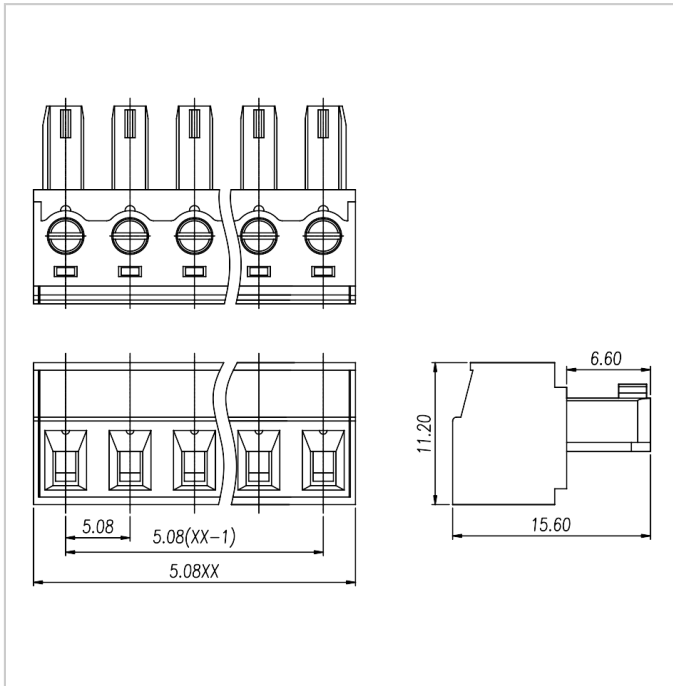
### Material

Insulation Material	PA66
Flame retardant rating	UL94V-0
Conductor Material	Copper alloy
Plating of conductor surface	Sn plated

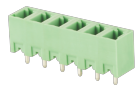
### Other Date

Pitch/Poles [mm]/[P]	5.08/2-24
Stripping Length [mm]	6-7
Screw/Torque(Max)[N.m]	M2/0.2
Operating temperature [°C]	-40 ~ +105
Soldering temperature	-
Pin dimensions [mm]	-
PCB Hole Diameter [mm]	-

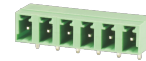
### Dimensions



### Accessories



WJ15EDGVC-5.08



WJ15EDGRC-5.08