

Rated current: 8A
 Rated voltage: 300V
 Use wire diameter: -
 spacing:3.81mm
 Install: Reflow Soldering



The catalog is for reference only. The actual specifications are subject to the product engineering drawings. version 1.0

UL/CUL

| Use Group | B | C | D |
|------------------------------|-----|-------|---|
| Rate Voltage [V] | 300 | - | - |
| Rated Current [A] | 8 | - | - |
| Wire Range [AWG] | | - | |
| Dielectric Voltage-Withstand | | 1.6KV | |

IEC

| Overvoltage Category | III | III | II |
|----------------------|-----|-----|-----|
| Contamination Class | 3 | 2 | 2 |
| Rated Voltage [V] | 160 | 160 | 250 |
| Rated Current [A] | 8 | 8 | 8 |

| | | | |
|--|-----|-----|-----|
| Impulse withstand voltage [KV] | 2.5 | 2.5 | 2.5 |
| Conductor cross section [mm ²] | - | | |

Material

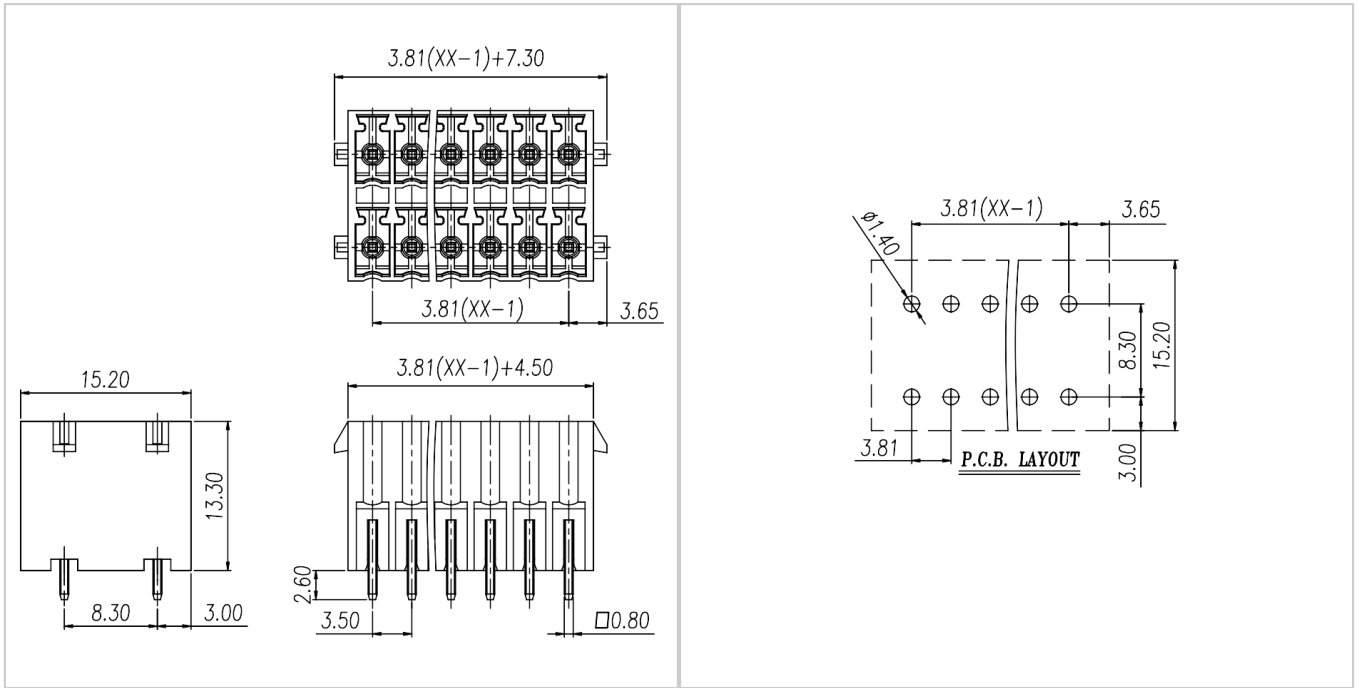
| | |
|------------------------------|--------------|
| Insulation Material | LCP |
| Flame retardant rating | UL94V-0 |
| Conductor Material | Copper alloy |
| Plating of conductor surface | Sn plated |

Other Data

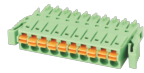
| | |
|----------------------------|------------------|
| Pitch/Poles [mm]/[P] | 3.81/2*2-2*24 |
| Stripping Length [mm] | - |
| Screw/Torque(Max)[N.m] | - |
| Operating temperature [°C] | -40 ~ +130 |
| Soldering method | Reflow Soldering |
| Pin dimensions [mm] | 0.8*0.8 |
| PCB Hole Diameter [mm] | Ø1.4 |

Dimensions

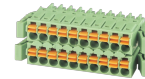
PCB hole diagram



Accessories



WJ15EDGKNG-3.81



WJ15EDGKNG-B-3.81