

Rated current: 10A

Rated voltage: 150V

Use wire diameter: -

spacing:3.5mm

Install: Wave soldering



The catalog is for reference only. The actual specifications are subject to the product engineering drawings. version 1.0

UL/CUL

Use Group	B	C	D
Rate Voltage [V]	150	-	-
Rated Current [A]	10	-	-
Wire Range [AWG]		-	
Dielectric Voltage-Withstand		1.3KV	

IEC

Overvoltage Category	III	III	II
Contamination Class	3	2	2
Rated Voltage [V]	80	125	250
Rated Current [A]	10	10	10

Impulse withstand voltage [KV]	2.5	2.5	2.5
Conductor cross section [mm ²]	-		

Material

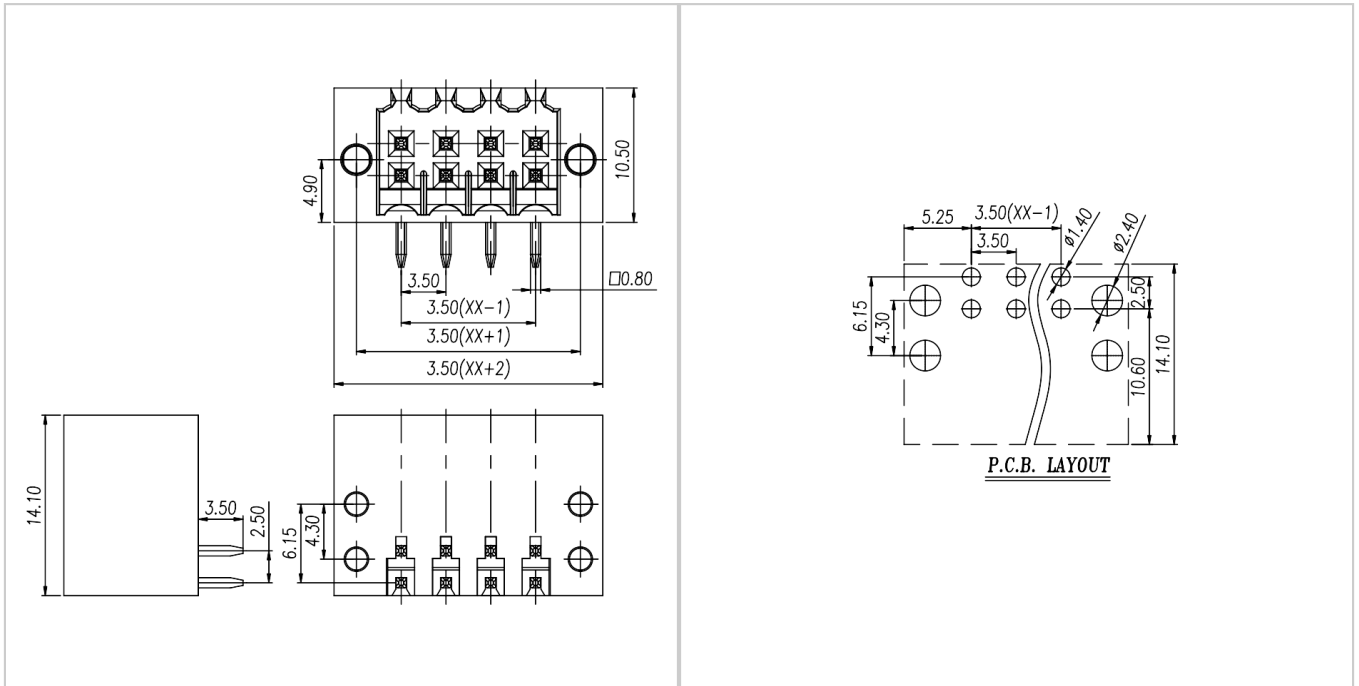
Insulation Material	PA66
Flame retardant rating	UL94V-0
Conductor Material	Copper alloy
Plating of conductor surface	Sn plated

Other Date

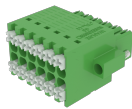
Pitch/Poles [mm]/[P]	3.5/2*2-2*24
Stripping Length [mm]	-
Screw/Torque(Max)[N.m]	-
Operating temperature [°C]	-40 ~ +105
Soldering method	Wave soldering
Pin dimensions [mm]	0.8*0.8
PCB Hole Diameter [mm]	Ø1.4

Dimensions

PCB hole diagram



Accessories



WJ15EDGKNHBM-3.5



WJ15EDGKNHBG-3.5



WJ15EDGKSHM-3.5