

Through-wall Terminal Block

Rated current: 65A

Rated voltage: 300V

Use wire diameter: 24-6AWG

spacing: /

The catalog is for reference only. The actual specifications are subject to the product engineering drawings. version 1.0

UL/CUL

Use Group	B	C	D
Rate Voltage [V]	300	150	300
Rated Current [A]	65	65	10
Wire Range [AWG]	24-6		
Dielectric Voltage-Withstand	1.6KV		

IEC

Overvoltage Category	III	III	II
Contamination Class	3	2	2
Rated Voltage [V]	400	500	1000
Rated Current [A]	57	57	57

Impulse withstand voltage [KV]	6	6	6
Conductor cross section [mm ²]	0.5-16.0		

Material

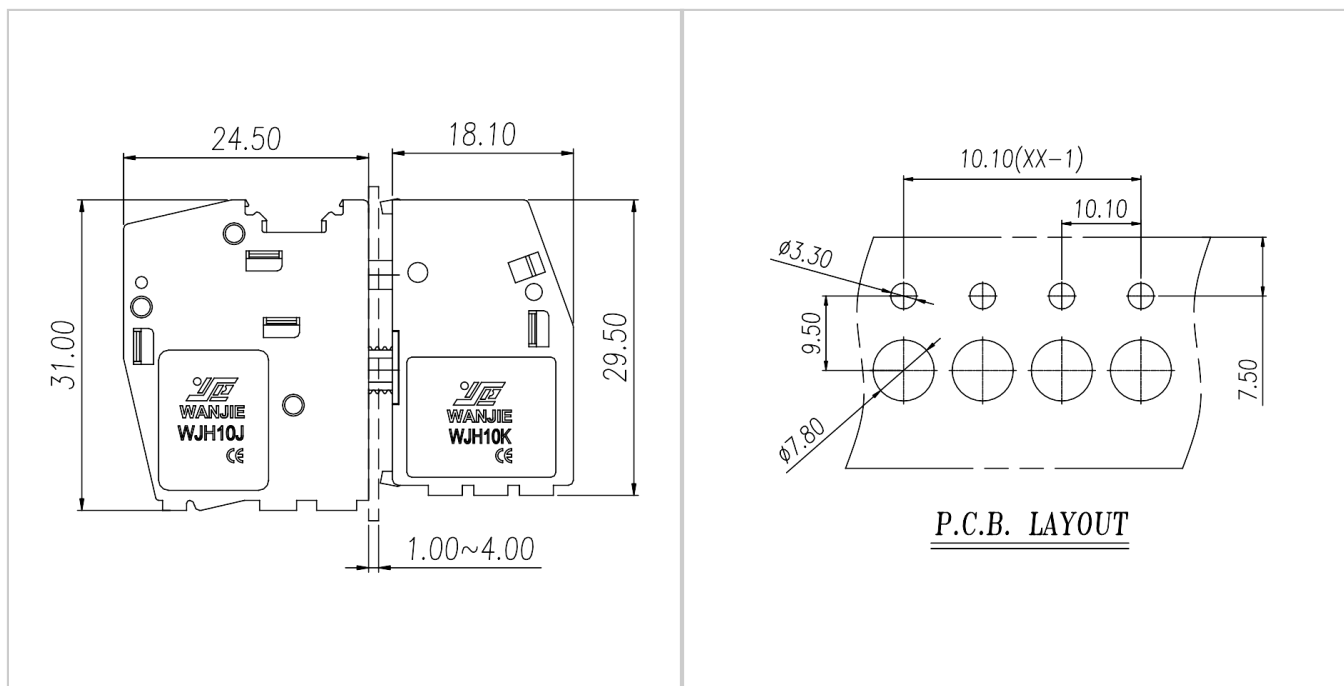
Insulation Material	PA66
Flame retardant rating	UL94V-0
Conductor Material	Copper alloy
Plating of conductor surface	Sn plated

Other Date

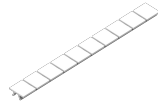
Pitch/Poles [mm]/[P]	10.0/XX=01P
Stripping Length [mm]	10
Screw/Torque(Max)[N.m]	M4/1.2
Operating temperature [°C]	-40 ~ +105

Dimensions

PCB hole diagram



Accessories



MUV10-10