

7/8" Female Panel Mount, Rear Fastened, With wires



The catalog is for reference only. The actual specifications are subject to the product engineering drawings. version 1.0

Connector Series: 7/8"

Gender	Female
Coding	A
Locking Type	Fix Screw
Mounting Type	Rear Fastened
Part No	M87-A**-ST0-F02-BH*-XXX

Technical Data

Ambient Temperatur	-25°C~+85°C
Insulation Resistance	≥100MΩ
Contact Resistance	≤5mΩ
IP Class	IP67

Mating Endurance	>100 Mating Cycles
------------------	--------------------

Material Data

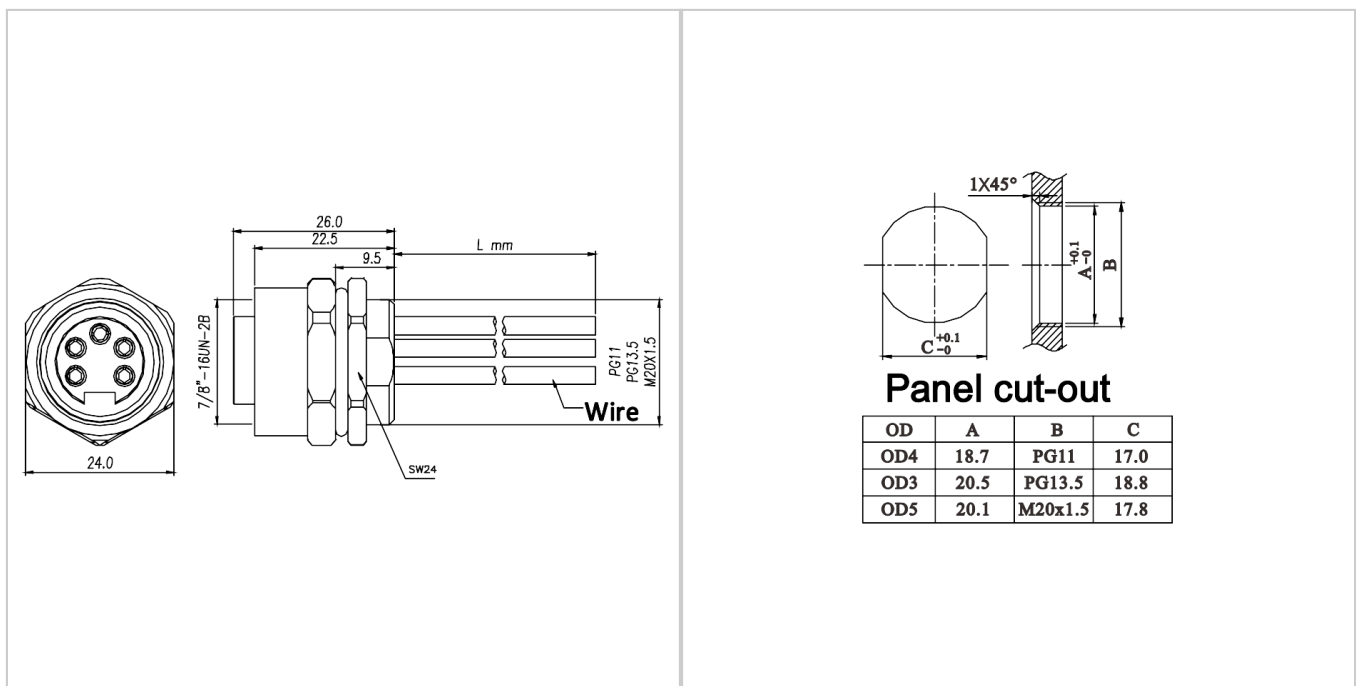
Connector Carriers	PA
Connector Contacts	Copper Alloy With Gold Plated
Connector Nut/Screw	Copper Alloy With Nickel Plated
Shielding	Unshielded
Seal/O-Ring	FKM

Electrical Data & Mechanical Date

Contacts Pin [Pins]	2	3	4	5
Rated Current [A]	13	13	13	8
Voltage AC/DC [V]	300/300			
Wire Range AWG/mm ²	18/1.0			

Dimensions

PCB hole diagram



The technical drawings show the connector's front view with a diameter of 24.0 mm and a depth of 7/8"-16UN-2B. The side view shows dimensions: 26.0 mm total length, 22.5 mm to the nut, 9.5 mm to the contact start, and L mm for the wire length. Wire specifications are PG11, PG13.5, and M20x1.5. A SW24 screw is also indicated.

The PCB cut-out diagram shows a circular hole with a chamfered edge (1X45°), a diameter C (+0.1/-0), and a depth B. The hole diameter is A (+0.1/-0).

OD	A	B	C
OD4	18.7	PG11	17.0
OD3	20.5	PG13.5	18.8
OD5	20.1	M20x1.5	17.8

Accessories



M87-A**-ST0-M02-BC*-XXX



M87-A**-RA0-M02-BC*-XXX



M87-A**-ST0-MF2-BT*-XXX



M87-A**-ST0-MF2-BTF