

7/8" Male Panel Mount, Rear Fastened, With wires



The catalog is for reference only. The actual specifications are subject to the product engineering drawings. version 1.0

Connector Series: 7/8"

Gender	Male
Coding	A
Locking Type	Fix Screw
Mounting Type	Rear Fastened
Part No	M87-A**-ST0-M02-BH*-XXX

Technical Data

Ambient Temperatur	-25°C~+85°C
Insulation Resistance	≥100MΩ
Contact Resistance	≤5mΩ
IP Class	IP67

Mating Endurance	>100 Mating Cycles
------------------	--------------------

Material Data

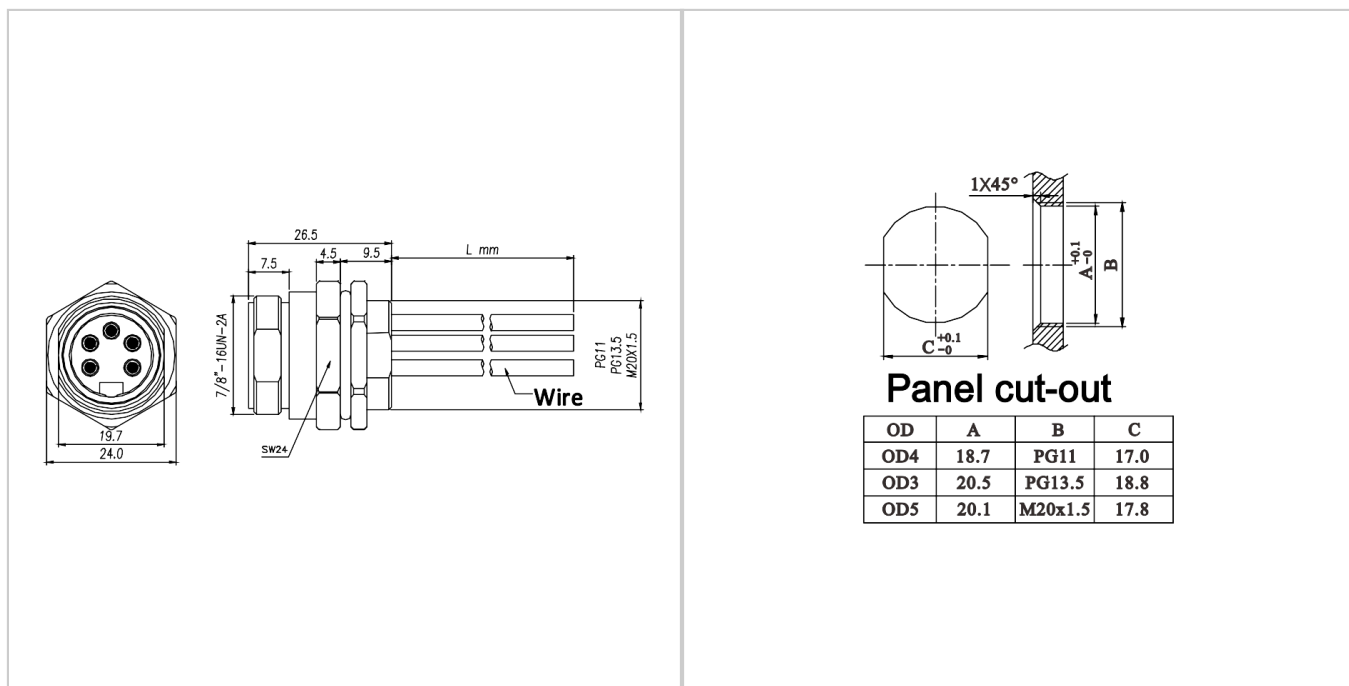
Connector Carriers	PA
Connector Contacts	Copper Alloy With Gold Plated
Connector Nut/Screw	Copper Alloy With Nickel Plated
Shielding	Unshielded
Seal/O-Ring	FKM

Electrical Data & Mechanical Date

Contacts Pin [Pins]	2	3	4	5
Rated Current [A]	13	13	13	8
Voltage AC/DC [V]	300/300			
Wire Range AWG/mm ²	18/1.0			

Dimensions

PCB hole diagram



The technical drawings show the connector's dimensions and PCB cut-out requirements. The front view shows a circular connector with a diameter of 24.0 mm and a mounting hole diameter of 19.7 mm. The side view shows a length of 26.5 mm, with segments of 7.5 mm, 4.5 mm, and 9.5 mm. The length of the wire is denoted as L mm. The PCB cut-out diagram shows a circular hole with a diameter of C, a depth of A, and a chamfered edge with a 1X45° angle. The dimensions A, B, and C are defined in the table below.

OD	A	B	C
OD4	18.7	PG11	17.0
OD3	20.5	PG13.5	18.8
OD5	20.1	M20x1.5	17.8

Accessories



M87-A**-ST0-F02-BC*-XXX



M87-A**-RA0-F02-BC*-XXX