

7/8" Female Panel Mount, Front Fastened, With wires



The catalog is for reference only. The actual specifications are subject to the product engineering drawings. version 1.0

Connector Series: 7/8"

Gender	Female
Coding	A
Locking Type	Fix Screw
Mounting Type	Front Fastened
Part No	M87-A**-ST0-F02-BQ2-XXX

Technical Data

Ambient Temperatur	-25°C~+85°C
Insulation Resistance	≥100MΩ
Contact Resistance	≤5mΩ
IP Class	IP67

Mating Endurance

>100 Mating Cycles

Material Data

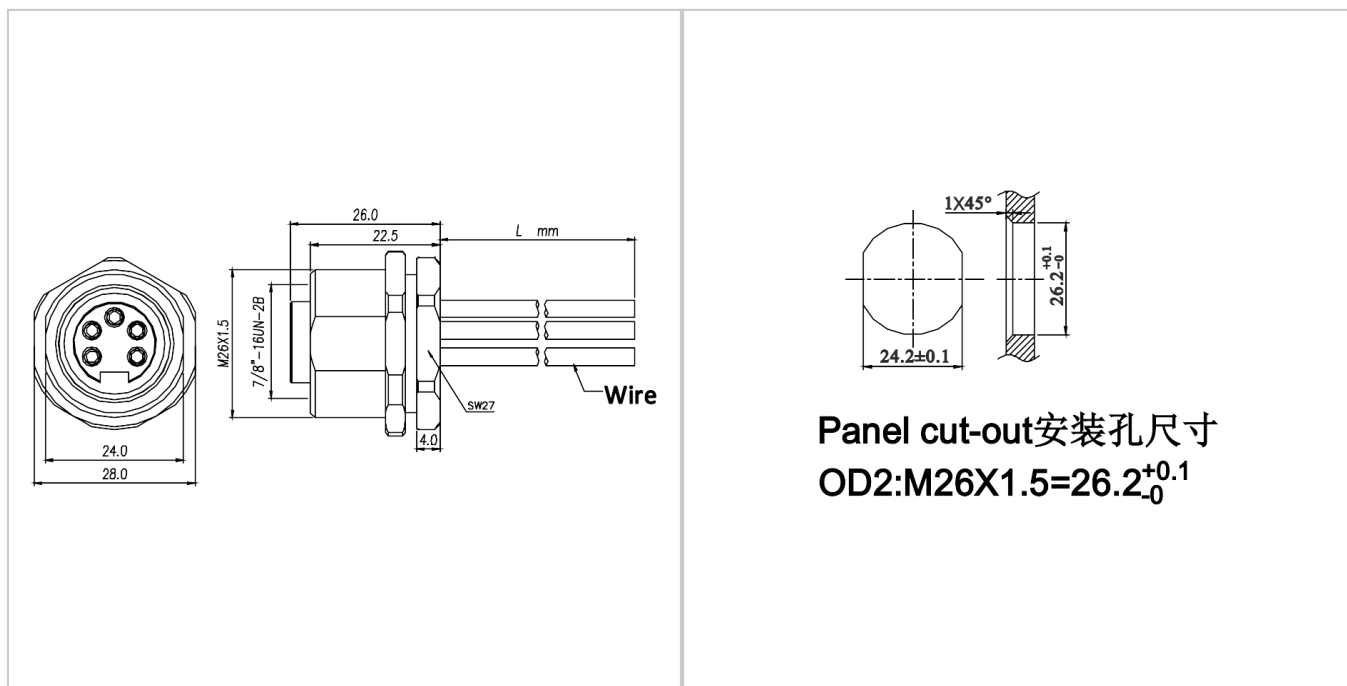
Connector Carriers	PA
Connector Contacts	Copper Alloy With Gold Plated
Connector Nut/Screw	Copper Alloy With Nickel Plated
Shielding	Unshielded
Seal/O-Ring	FKM

Electrical Data & Mechanical Date

Contacts Pin [Pins]	2	3	4	5
Rated Current [A]	13	13	13	8
Voltage AC/DC [V]	300/300			
Wire Range AWG/mm ²	18/1.0			

Dimensions

PCB hole diagram



Technical drawings showing dimensions and PCB hole diagram. Dimensions include 24.0, 28.0, M26X1.5, 7/8"-16UN-2B, 26.0, 22.5, L mm, 4.0, SW27, Wire, 1X45°, 24.2±0.1, 26.2^{+0.1}₋₀.

Panel cut-out 安装孔尺寸
 OD2:M26X1.5=26.2^{+0.1}₀

Accessories



M87-A**-ST0-M02-BC*-XXX



M87-A**-RA0-M02-BC*-XXX



M87-A**-ST0-MF2-BT*-XXX



M87-A**-ST0-MF2-BTF