



7/8" Male Panel Mount, Front Fastened, With wires



The catalog is for reference only. The actual specifications are subject to the product engineering drawings. version 1.0

Connector Series: 7/8"

Gender	Male
Coding	A
Locking Type	Fix Screw
Mounting Type	Front Fastened
Part No	M87-A**-ST0-M02-BQ1-XXX

Technical Data

Ambient Temperatur	-25°C~+85°C
Insulation Resistance	≥100MΩ
Contact Resistance	≤5mΩ
IP Class	IP67

Mating Endurance	>100 Mating Cycles
------------------	--------------------

Material Data

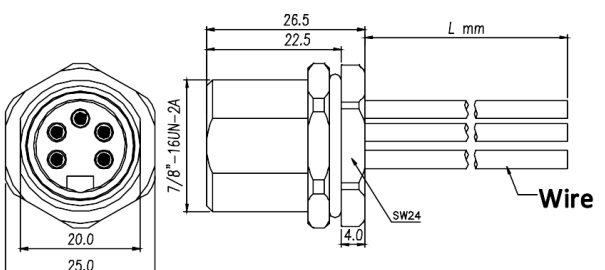
Connector Carriers	PA
Connector Contacts	Copper Alloy With Gold Plated
Connector Nut/Screw	Copper Alloy With Nickel Plated
Shielding	Unshielded
Seal/O-Ring	FKM

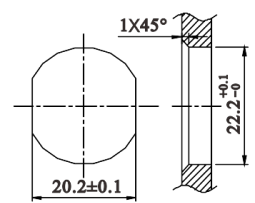
Electrical Data & Mechanical Date

Contacts Pin [Pins]	2	3	4	5
Rated Current [A]	13	13	13	8
Voltage AC/DC [V]	300/300			
Wire Range AWG/mm ²	18/1.0			

Dimensions

PCB hole diagram





Panel cut-out 安装孔尺寸
OD1:7/8"=22.2^{+0.1}₀

Accessories



M87-A**-ST0-F02-BC*-XXX



M87-A**-RA0-F02-BC*-XXX