

M12 Male Panel Mount, S-T-K-L-M Coding,  
Crimping Type, Front Fastened, With Wires



The catalog is for reference only. The actual specifications are subject to the product engineering drawings. version 1.0

### Connector Series: M12

Gender	Male
Coding	S,T,K,L,M
Locking Type	Fix Screw
Mounting Type	Front Screw
Part No	M12-X**-ST0-M03-BQ*-XXX

### Technical Data

Standard	IEC61076-2-111
Ambient Temperatur	-25°C~+80°C
Insulation Resistance	≥100MΩ
Contact Resistance	≤5mΩ

# M12-X\*\*-ST0-M03-BQ\*-XXX

M12 Circular Connector

Download Date:2026-06-29



IP Class	IP67
Mating Endurance	>100 Mating Cycles

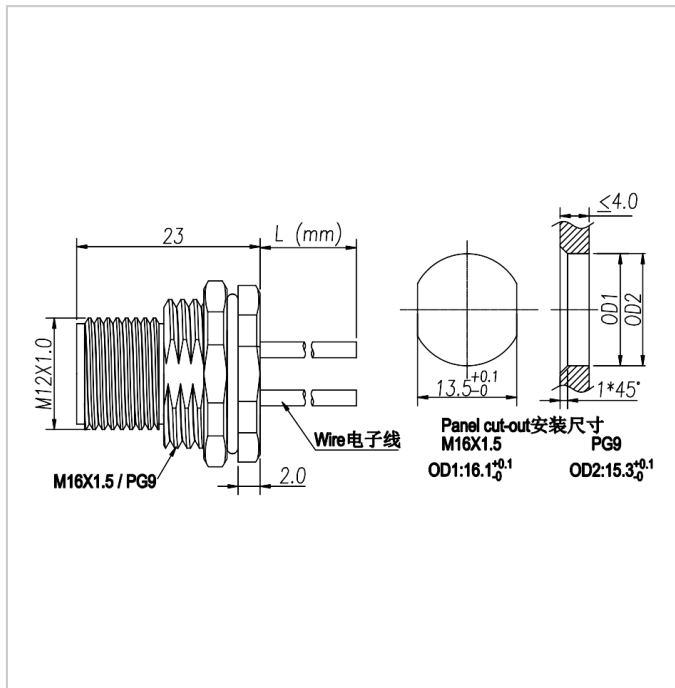
## Material Data

Connector Carriers	PA
Connector Contacts	Copper Alloy With Gold Plated
Connector Nut/Screw	Copper Alloy With Nickel Plated
Shielding	Unshielded
Seal/O-Ring	FKM
Contacts Termination	Crimping Type

## Electrical Data & Mechanical Date

Available Coding	S-Coding	T-Coding	K-Coding	L-Coding	M-Coding
Rated Current [A]	16(03Pin), 12(04Pin )	12	12	16	8
Rated Voltage [V]	630	63	630	63	630
Wire Range AWG/mm <sup>2</sup>	16/1.5	16/1.5	16/1.5	16/1.5	18/1.0

## Dimensions



### Accessories



M12-X\*\*-ST0-F02-BC\*-XXX



M12-X\*\*-RA0-F02-BC\*-XXX



M12-X\*\*-ST2-F02-BC\*-XXX



M12-X\*\*-RA2-F02-BC\*-XXX



M12-X\*\*-ST0-F02-BC\*-XXX



M12-X\*\*-ST0-F02-BC\*-XXX



# M12-X\*\*-ST0-M03-BQ\*-XXX

M12 Circular Connector

Download Date:2026-06-29



M12-X\*\*-ST0-F02-BV\*-XXX



M12-X\*\*-ST0-F02-BFM



M12-X\*\*-ST2-M02-BF\*



M12-X\*\*-ST0-F02-BMT



M12-X\*\*-ST0-F02-SC\*-XXX



M12-X\*\*-RA0-F02-SC\*-XXX



M12-X\*\*-ST2-F02-SC\*-XXX



M12-X\*\*-ST0-F02-SV\*-XXX



M12-X\*\*-ST0-F04-PS\*



M12-X\*\*-RA0-F04-PS\*

M12-X\*\*-ST2-F04-BS\*

M12-X\*\*-RA2-F04-BS\*