

M12 Male Panel Mount, Solder Type, Rear Fastened, With Wires



The catalog is for reference only. The actual specifications are subject to the product engineering drawings. version 1.0

Connector Series: M12

|               |                         |
|---------------|-------------------------|
| Gender        | Male                    |
| Coding        | A,B,C,D                 |
| Locking Type  | Fix Screw               |
| Mounting Type | Rear Fastened           |
| Part No       | M12-X**-ST0-M02-BH*-XXX |

Technical Data

|                       |                |
|-----------------------|----------------|
| Standard              | IEC61076-2-101 |
| Ambient Temperatur    | -25°C~+80°C    |
| Insulation Resistance | ≥100MΩ         |
| Contact Resistance    | ≤5mΩ           |

# M12-X\*\*-ST0-M02-BH\*-XXX

M12 Circular Connector

Download Date:2026-06-29



|                  |                    |
|------------------|--------------------|
| IP Class         | IP67               |
| Mating Endurance | >100 Mating Cycles |

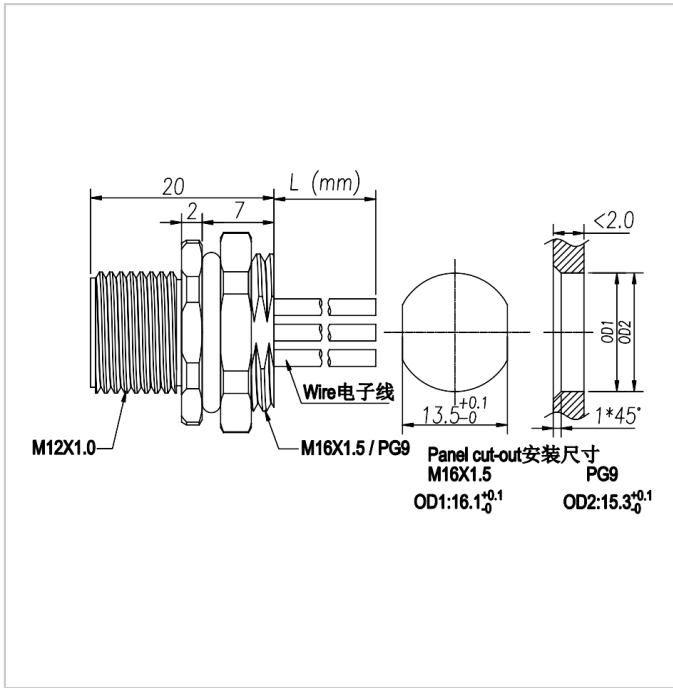
## Material Data

|                      |                                 |
|----------------------|---------------------------------|
| Connector Carriers   | PA                              |
| Connector Contacts   | Copper Alloy With Gold Plated   |
| Connector Nut/Screw  | Copper Alloy With Nickel Plated |
| Shielding            | Unshielded                      |
| Seal/O-Ring          | FKM                             |
| Contacts Termination | Solder Type                     |

## Electrical Data & Mechanical Date

|                                |         |         |                          |         |         |         |         |
|--------------------------------|---------|---------|--------------------------|---------|---------|---------|---------|
| Contacts Pin [Pins]            | 3       | 4       | 5                        | 6       | 8       | 12      | 17      |
| Rated Current [A]              | 4       | 4       | 4/2                      | 2       | 2       | 1.5     | 1.5     |
| Voltage AC/DC [V]              | 250/250 | 250/250 | 60/60                    | 30/30   | 30/30   | 30/30   | 30/30   |
| Wire Range AWG/mm <sup>2</sup> | 22/0.34 | 22/0.34 | 22,24/0.34,0.25 (C-code) | 24/0.25 | 24/0.25 | 26/0.14 | 26/0.14 |

## Dimensions



Accessories



M12-X\*\*-ST0-F02-BC\*-XXX



M12-X\*\*-RA0-F02-BC\*-XXX



M12-X\*\*-ST2-F02-BC\*-XXX



M12-X\*\*-RA2-F02-BC\*-XXX



M12-X\*\*-ST0-F02-BC\*-XXX



M12-X\*\*-ST0-F02-BC\*-XXX



# M12-X\*\*-ST0-M02-BH\*-XXX

M12 Circular Connector

Download Date:2026-06-29



M12-X\*\*-ST0-F02-BV\*-XXX



M12-X\*\*-ST0-F02-BFM



M12-X\*\*-ST2-M02-BF\*



M12-X\*\*-ST0-F02-BMT



M12-X\*\*-ST0-F02-SC\*-XXX



M12-X\*\*-RA0-F02-SC\*-XXX



M12-X\*\*-ST2-F02-SC\*-XXX



M12-X\*\*-ST0-F02-SV\*-XXX



M12-X\*\*-ST0-F04-PS\*



M12-X\*\*-RA0-F04-PS\*

M12-X\*\*-ST2-F04-BS\*

M12-X\*\*-RA2-F04-BS\*