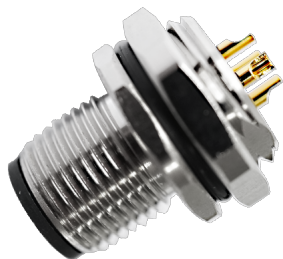


M12 Male Panel Mount, Solder Type, Rear Fastened



The catalog is for reference only. The actual specifications are subject to the product engineering drawings. version 1.0

### Connector Series: M12

Gender	Male
Coding	A,B,C,D
Locking Type	Fix Screw
Mounting Type	Rear Fastened
Part No	M12-X**-ST0-M02-BH*

### Technical Data

Standard	IEC61076-2-101
Ambient Temperatur	-40°C~+105°C
Insulation Resistance	≥100MΩ
Contact Resistance	≤5mΩ

IP Class	IP67
Mating Endurance	>100 Mating Cycles

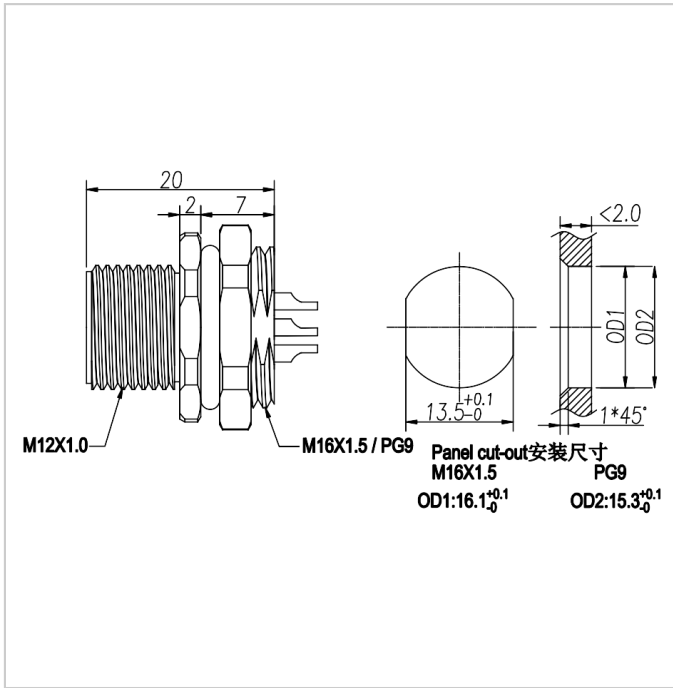
### Material Data

Connector Carriers	PA
Connector Contacts	Copper Alloy With Gold Plated 铜镀金
Connector Nut/Screw	Copper Alloy With Nickel Plated 铜镀镍
Shielding	Unshielded 非屏蔽
Seal/O-Ring	FKM 氟橡胶
Contacts Termination	Solder Type 焊接式

### Electrical Data & Mechanical Date

Contacts Pin [Pins]	3	4	5	6	8	12	17
Rated Current [A]	4	4	4/2	2	2	1.5	1.5
Voltage AC/DC [V]	250/250	250/250	60/60	30/30	30/30	30/30	30/30
Wire Range AWG/mm <sup>2</sup>	22/0.34	22/0.34	22,24/0.34,0.25 (C-code)	24/0.25	24/0.25	26/0.14	26/0.14

### Dimensions



Accessories



M12-X\*\*-ST0-F02-BC\*-XXX



M12-X\*\*-RA0-F02-BC\*-XXX



M12-X\*\*-ST2-F02-BC\*-XXX



M12-X\*\*-RA2-F02-BC\*-XXX



M12-X\*\*-ST0-F02-BC\*-XXX



M12-X\*\*-ST0-F02-BC\*-XXX



M12-X\*\*-ST0-F02-BV\*-XXX



M12-X\*\*-ST0-F02-BFM



M12-X\*\*-ST2-M02-BF\*



M12-X\*\*-ST0-F02-BMT



M12-X\*\*-ST0-F02-SC\*-XXX



M12-X\*\*-RA0-F02-SC\*-XXX



M12-X\*\*-ST2-F02-SC\*-XXX



M12-X\*\*-ST0-F02-SV\*-XXX



M12-X\*\*-ST0-F04-PS\*



M12-X\*\*-RA0-F04-PS\*

M12-X\*\*-ST2-F04-BS\*

M12-X\*\*-RA2-F04-BS\*