

Rated current: 8A
 Rated voltage: 300V
 Use wire diameter: -
 spacing:3.5mm
 Install: Reflow Soldering



The catalog is for reference only. The actual specifications are subject to the product engineering drawings. version 1.0

UL/CUL

Use Group	B	C	D
Rate Voltage [V]	300	-	300
Rated Current [A]	8	-	8
Wire Range [AWG]	-		
Dielectric Voltage-Withstand	1.6KV		

IEC

Overvoltage Category	III	III	II
Contamination Class	3	2	2
Rated Voltage [V]	160	160	250
Rated Current [A]	8	8	8

Impulse withstand voltage [KV]	2.5	2.5	2.5
Conductor cross section [mm ²]	-		

Material

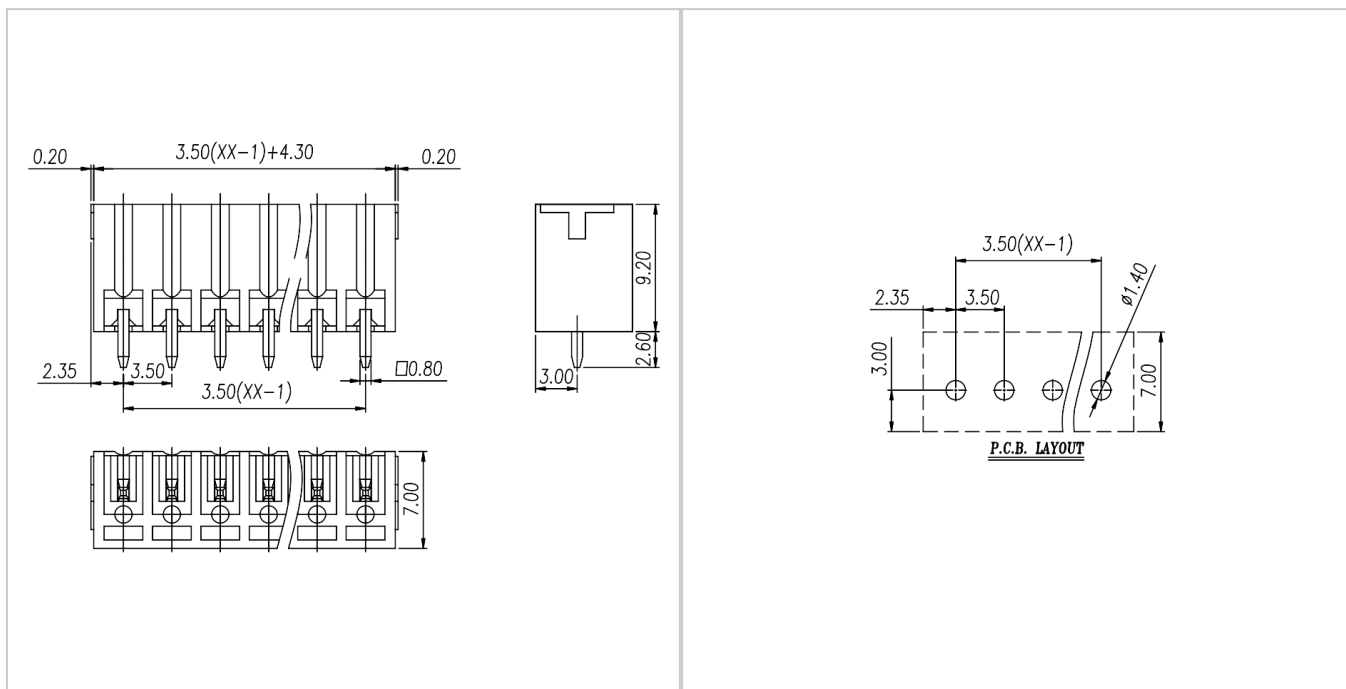
Insulation Material	LCP
Flame retardant rating	UL94V-0
Conductor Material	Copper alloy
Plating of conductor surface	Sn plated

Other Data

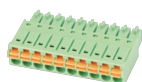
Pitch/Poles [mm]/[P]	3.5/2-24
Stripping Length [mm]	-
Screw/Torque(Max)[N.m]	-
Operating temperature [°C]	-40 ~ +130
Soldering method	Reflow Soldering
Pin dimensions [mm]	0.8*0.8
PCB Hole Diameter [mm]	Ø1.4

Dimensions

PCB hole diagram



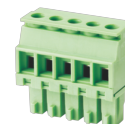
Accessories



WJ15EDGKN-3.5



WJ15EDGK-3.5



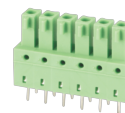
WJ15EDGKA-3.5



WJ15EDGKB-3.5



WJ15EDGKD-3.5



WJ15EDGB-3.5



WJ15EDGA-3.5