

Rated current: 7A

Rated voltage: 150V

Use wire diameter: 28-18AWG

spacing:3.5mm

Install:



The catalog is for reference only. The actual specifications are subject to the product engineering drawings. version 1.0

UL/CUL

Use Group	B	C	D
Rate Voltage [V]	150	-	150
Rated Current [A]	7	-	7
Wire Range [AWG]	28-18		
Dielectric Voltage-Withstand	1.3KV		

IEC

Overvoltage Category	III	III	II
Contamination Class	3	2	2
Rated Voltage [V]	80	160	200
Rated Current [A]	10	10	10

Impulse withstand voltage [KV]	1.5	2.5	2.5
Conductor cross section [mm ²]	0.2-1.0		

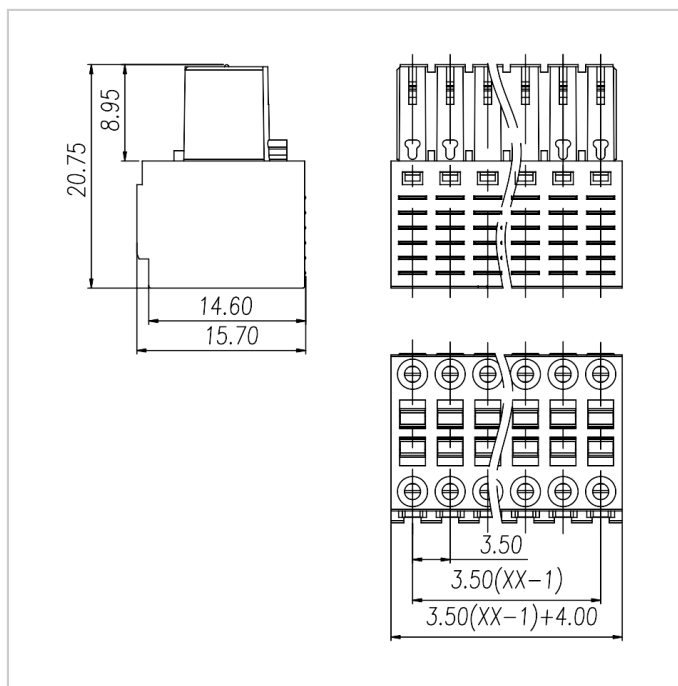
Material

Insulation Material	PA66
Flame retardant rating	UL94V-0
Conductor Material	Copper alloy
Plating of conductor surface	Sn plated

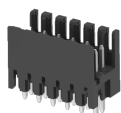
Other Date

Pitch/Poles [mm]/[P]	3.5/2*2-2*24
Stripping Length [mm]	7-8
Screw/Torque(Max)[N.m]	-
Operating temperature [°C]	-40 ~ +105

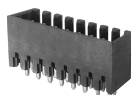
Dimensions



Accessories



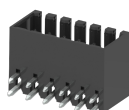
WJ15EDGVHS-THR-3.5



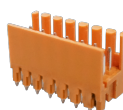
WJ15EDGVHSC-THR-3.5



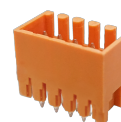
WJ15EDGRHS-THR-3.5



WJ15EDGRHSC-THR-3.5



WJ15EDGVHS-3.5



WJ15EDGVHSC-3.5



WJ15EDGRHS-3.5

