

Rated current: 5A

Rated voltage: 150V

Use wire diameter: 30-20AWG

spacing:2.54mm

Install:



The catalog is for reference only. The actual specifications are subject to the product engineering drawings. version 1.0

### UL/CUL

Use Group	B	C	D
Rate Voltage [V]	150	-	-
Rated Current [A]	5	-	-
Wire Range [AWG]	30-20		
Dielectric Voltage-Withstand	1.3KV		

### IEC

Overvoltage Category	III	III	II
Contamination Class	3	2	2
Rated Voltage [V]	160	160	320
Rated Current [A]	6	6	6

Impulse withstand voltage [KV]	2.5	2.5	2.5
Conductor cross section [mm <sup>2</sup> ]	0.2-0.5		

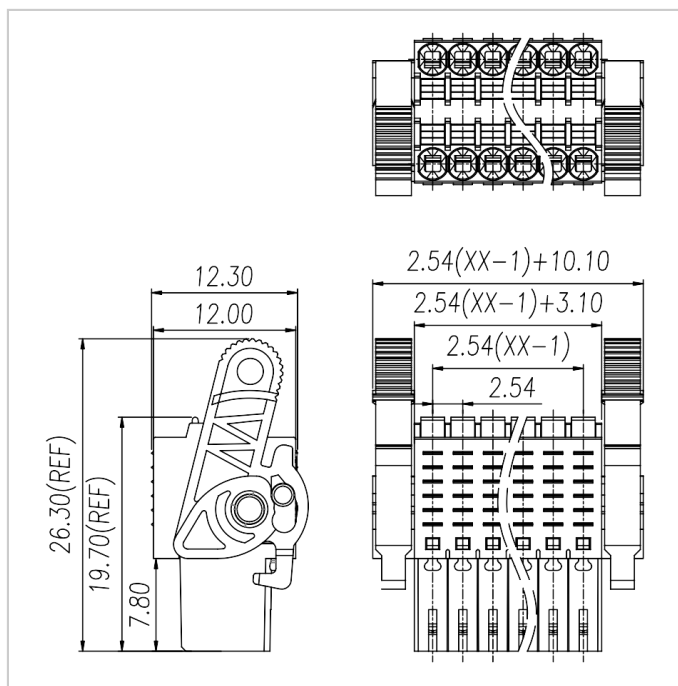
### Material

Insulation Material	PA66
Flame retardant rating	UL94V-0
Conductor Material	Copper alloy
Plating of conductor surface	Sn plated

### Other Date

Pitch/Poles [mm]/[P]	2.54/2*2-2*24
Stripping Length [mm]	7-8
Screw/Torque(Max)[N.m]	-
Operating temperature [°C]	-40 ~ +105

### Dimensions



## Accessories



WJ15EDGVHSM-THR-2.54



WJ15EDGRHSM-THR-2.54