

Rated current: 65A

Rated voltage: 600V

Use wire diameter: 20-6AWG

The catalog is for reference only. The actual specifications are subject to the product engineering drawings. version 1.0

UL ( 1059 )

Use Group	B	C	D
Rate Voltage [V]	600	600	600
Rated Current [A]	65	65	5
Wire Range [AWG]	20-6		

IEC ( 60947-7-1 )

Rated Voltage [V]	1000
Rated Current [A]	57
Soild [mm <sup>2</sup> ]	0.5-16.0
Flexible [mm <sup>2</sup> ]	0.5-10.0
Flexible with ferrule [mm <sup>2</sup> ]	0.5-10.0

Overvoltage Category	III
Contamination Class	3
Impulse withstand voltage [KV]	8

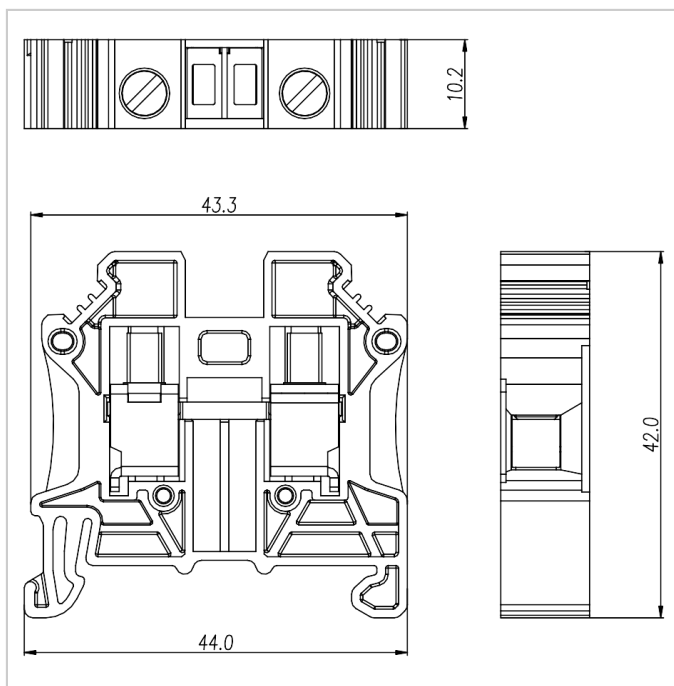
### Material

Insulation Material	PA66
Flame retardant rating	UL94V-0
Conductor Material	Copper alloy
Plating of conductor surface	Sn plated

### Other Date

Length/Height/Thickness [mm]	43.3/42.0/10.2
Stripping Length [mm]	10-11
Screw/Torque [N.m]	M4/1.2-1.5

### Dimensions



## Accessories



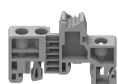
FUVA10-XX



DUT10-102



MUV10-10



EB-35



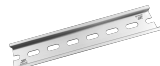
EW-35



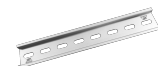
EC-35



DGL2-35x7.5A



DGL2-35x7.5B



DGL2-35x7.5C



DGL2-35x7.5D