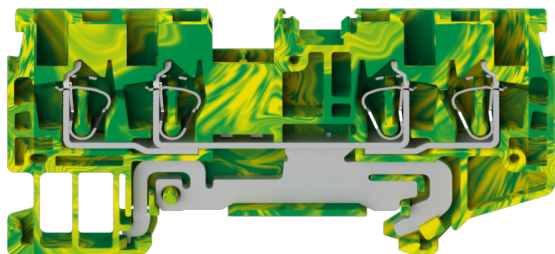


Use wire diameter: 26-14AWG



The catalog is for reference only. The actual specifications are subject to the product engineering drawings. version 1.0

UL (1059)

Wire Range [AWG]	26 ~ 14
------------------	---------

IEC (60947-7-2)

Soild [mm ²]	0.2-1.5
Flexible [mm ²]	0.2-1.5
Flexible with ferrule [mm ²]	0.2-1.5
Overvoltage Category	III
Contamination Class	3
Impulse withstand voltage [KV]	6

Material

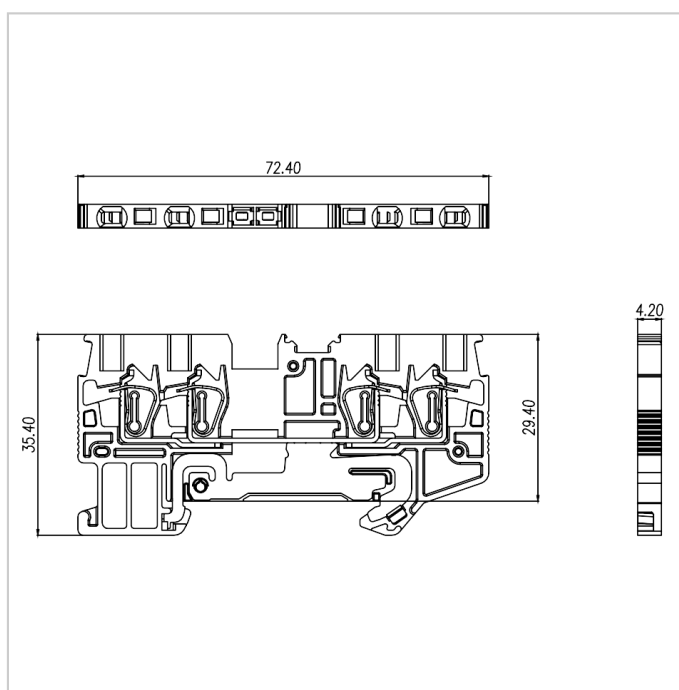
Insulation Material	PA66
---------------------	------

Flame retardant rating	UL94V-0
Conductor Material	Copper alloy
Plating of conductor surface	Sn plated

Other Date

Length/Height/Thickness [mm]	72.4/35.4/4.2
Stripping Length [mm]	8-10

Dimensions



Accessories



FUSA1.5-XX



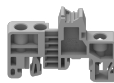
DUV2.5-104



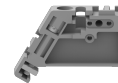
MUS1.5-10



PUS1.5-120



EB-35



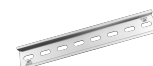
EW-35



DGL2-35x7.5A



DGL2-35x7.5B



DGL2-35x7.5C



DGL2-35x7.5D