

Use wire diameter: 26-12AWG



The catalog is for reference only. The actual specifications are subject to the product engineering drawings. version 1.0

UL ( 1059 )

Wire Range [AWG]	26 ~ 12
------------------	---------

IEC ( 60947-7-2 )

Soild [mm <sup>2</sup> ]	0.2-4.0
Flexible [mm <sup>2</sup> ]	0.2-2.5
Flexible with ferrule [mm <sup>2</sup> ]	0.2-2.5
Overvoltage Category	III
Contamination Class	3
Impulse withstand voltage [KV]	8

Material

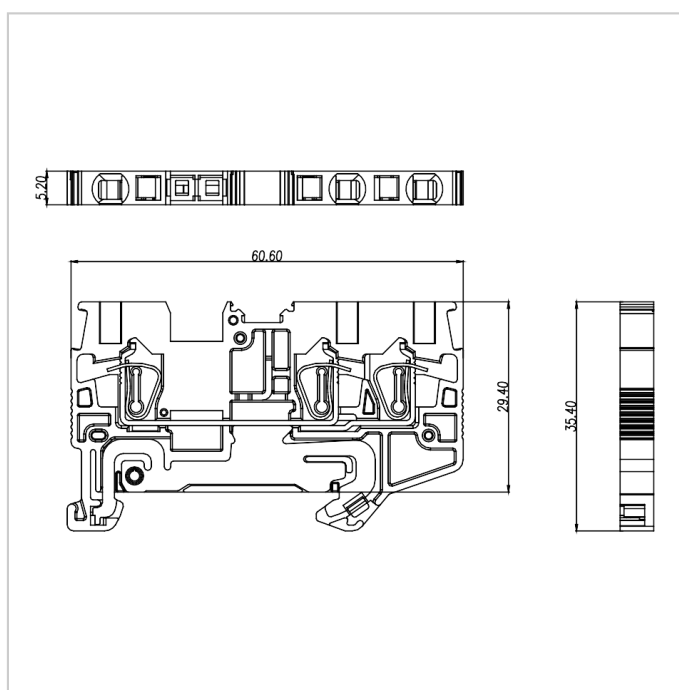
Insulation Material	PA66
---------------------	------

Flame retardant rating	UL94V-0
Conductor Material	Copper alloy
Plating of conductor surface	Sn plated

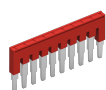
Other Date

Length/Height/Thickness [mm]	60.6/35.4/5.2
Stripping Length [mm]	8-10

Dimensions



Accessories



FUVA2.5-XX



DUV2.5-103



MUV2.5-10



PUV2.5-96



EB-35



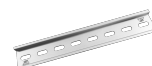
EW-35



DGL2-35x7.5A



DGL2-35x7.5B



DGL2-35x7.5C



DGL2-35x7.5D