

Rated current: 20A

Rated voltage: 300V

Use wire diameter: 26-12AWG

The catalog is for reference only. The actual specifications are subject to the product engineering drawings. version 1.0

UL (1059)

Use Group	B	C	D
Rate Voltage [V]	300	300	600
Rated Current [A]	20	20	5
Wire Range [AWG]	26~12		

IEC (60947-7-1)

Rated Voltage [V]	500
Rated Current [A]	22
Soild [mm ²]	0.2-4.0
Flexible [mm ²]	0.2-2.5
Flexible with ferrule [mm ²]	0.2-2.5

Overvoltage Category	III
Contamination Class	3
Impulse withstand voltage [KV]	6

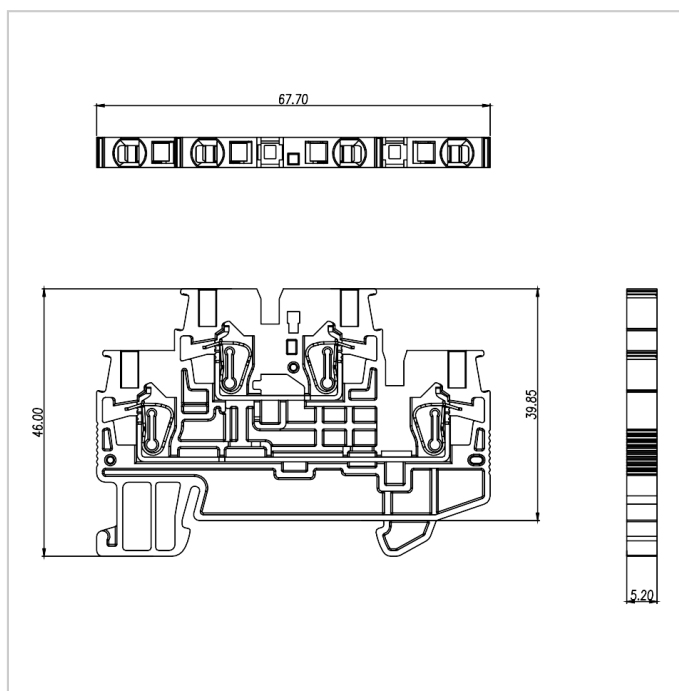
Material

Insulation Material	PA66
Flame retardant rating	UL94V-0
Conductor Material	Copper alloy
Plating of conductor surface	Sn plated

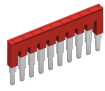
Other Date

Length/Height/Thickness [mm]	67.7/46.0/5.2
Stripping Length [mm]	8-10

Dimensions



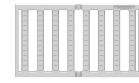
Accessories



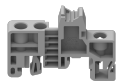
FUVA2.5-XX



DUS2.5-202



PUV2.5-96



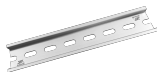
EB-35



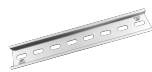
EW-35



DGL2-35x7.5A



DGL2-35x7.5B



DGL2-35x7.5C



DGL2-35x7.5D