

Rated current: 50A

Rated voltage: 600V

Use wire diameter: 24-8AWG



The catalog is for reference only. The actual specifications are subject to the product engineering drawings. version 1.0

## UL ( 1059 )

Use Group	B	C	D
Rate Voltage [V]	600	600	600
Rated Current [A]	50	50	5
Wire Range [AWG]		20~8	

## IEC ( 60947-7-1 )

Rated Voltage [V]	1000
Rated Current [A]	41
Soild [mm <sup>2</sup> ]	0.2-10.0
Flexible [mm <sup>2</sup> ]	0.2-6.0
Flexible with ferrule [mm <sup>2</sup> ]	0.25-6.0

Overvoltage Category	III
Contamination Class	3
Impulse withstand voltage [KV]	8

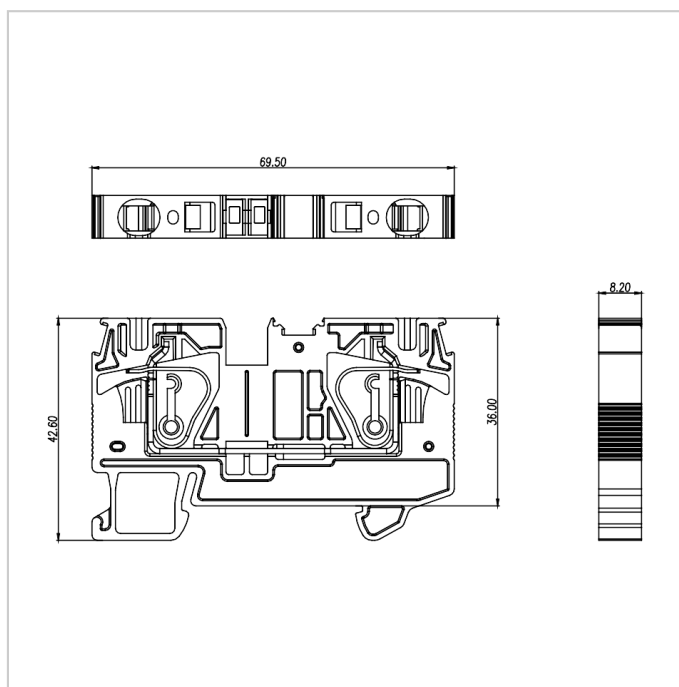
**Material**

Insulation Material	PA66
Flame retardant rating	UL94V-0
Conductor Material	Copper alloy
Plating of conductor surface	Sn plated

**Other Date**

Length/Height/Thickness [mm]	69.5/42.6/8.2
Stripping Length [mm]	12

**Dimensions**



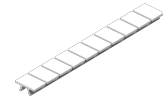
**Accessories**



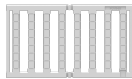
FUVA6-XX



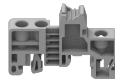
DUS6-102



MUV6-10



PUV6-56



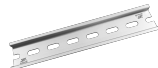
EB-35



EW-35



DGL2-35x7.5A



DGL2-35x7.5B



DGL2-35x7.5C



DGL2-35x7.5D