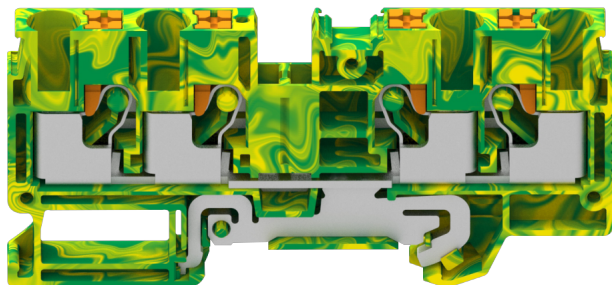


Use wire diameter: 20-8AWG



The catalog is for reference only. The actual specifications are subject to the product engineering drawings. version 1.0

UL (1059)

Wire Range [AWG]	20~8
------------------	------

IEC (60947-7-2)

Soild [mm ²]	0.5-10.0
Flexible [mm ²]	0.5-6.0
Flexible with ferrule [mm ²]	0.5-6.0
Overvoltage Category	III
Contamination Class	3
Impulse withstand voltage [KV]	8

Material

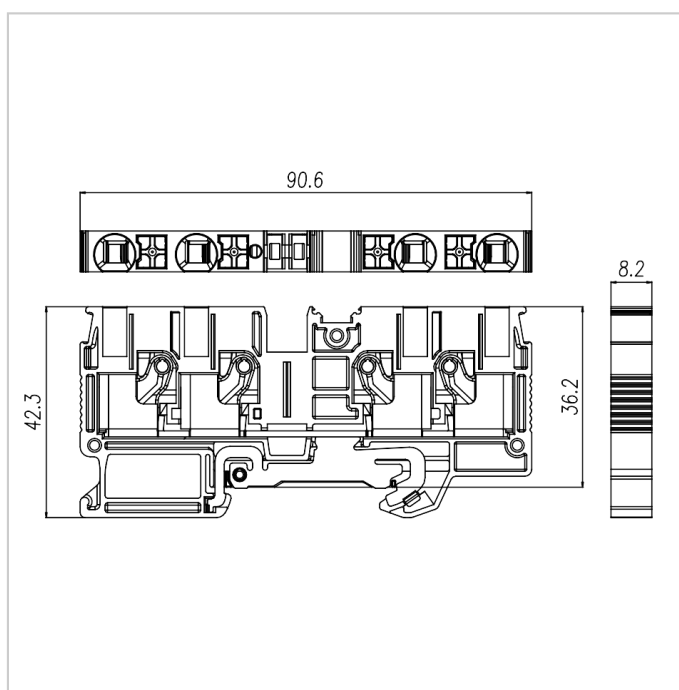
Insulation Material	PA66
---------------------	------

Flame retardant rating	UL94V-0
Conductor Material	Copper alloy
Plating of conductor surface	Sn plated

Other Date

Length/Height/Thickness [mm]	90.6/42.3/8.2
Stripping Length [mm]	10-12

Dimensions



Accessories



FUVA6-XX



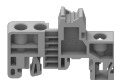
DUV6-104



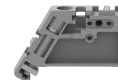
MUV6-10



PUV6-56



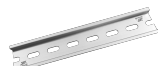
EB-35



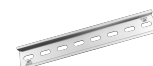
EW-35



DGL2-35x7.5A



DGL2-35x7.5B



DGL2-35x7.5C



DGL2-35x7.5D